

VERSETTA STONE®

FLASHING AND CONSTRUCTION DETAILS

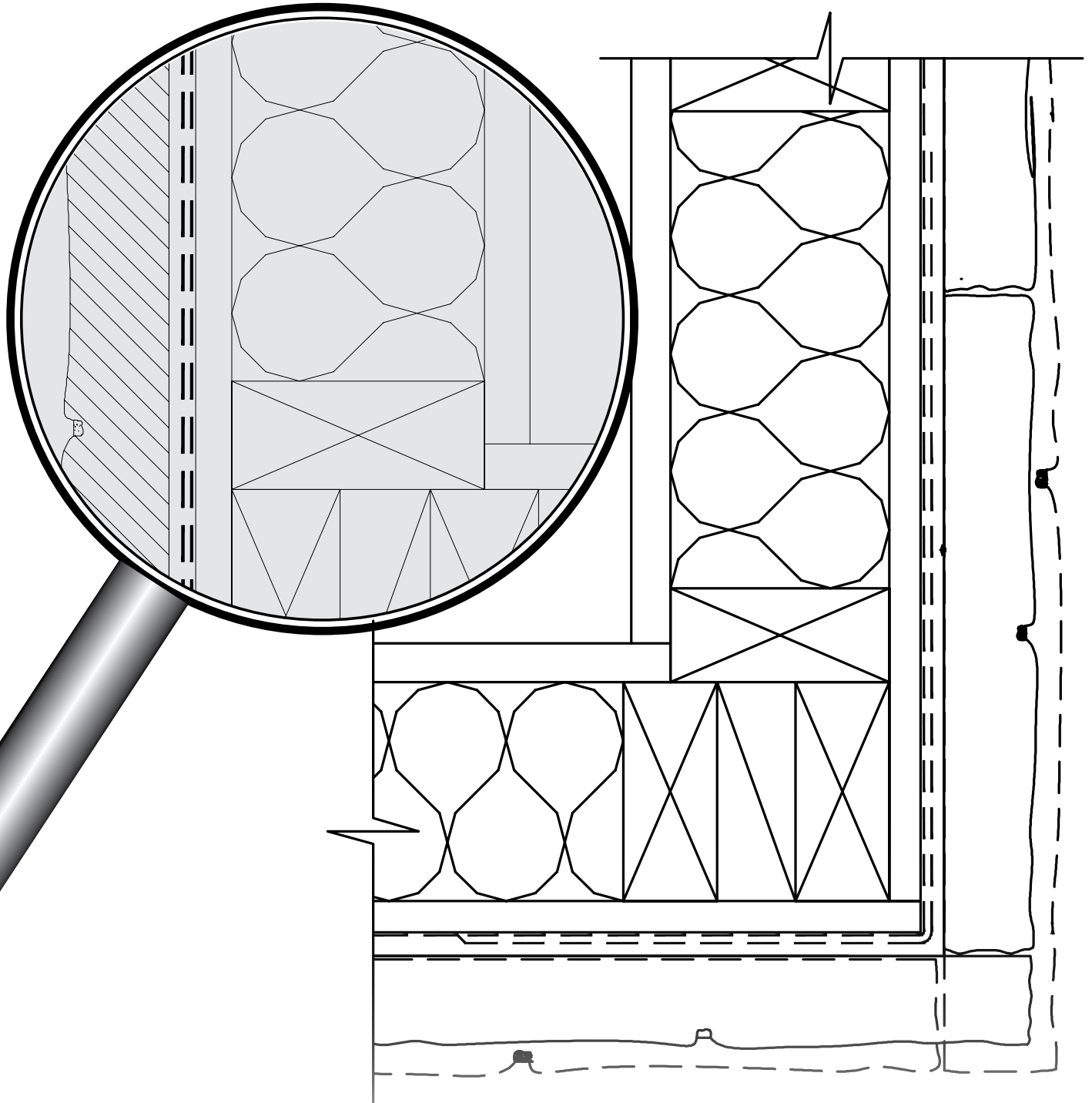


Table of Contents

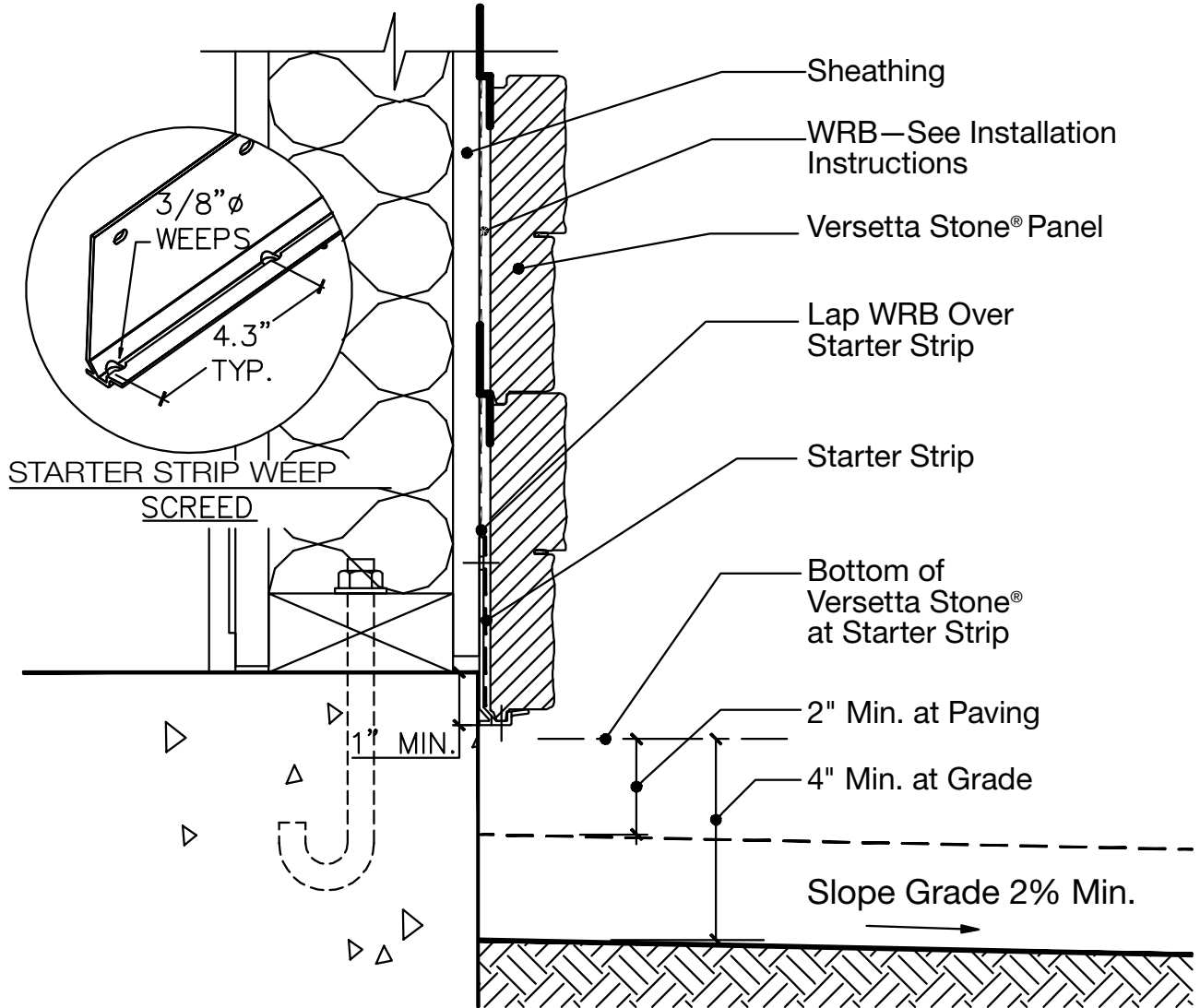
Figure

- 1.1 Sheathing and Wood Studs—Foundation Wall Base. *pg 3*
- 1.2 Sheathing and Wood Studs—Universal Corner. *pg 4*
- 1.3 Sheathing and Wood Studs—Inside Corner. *pg 5*
- 1.4 Sheathing and Wood Studs—Siding Termination with Versetta® Sill. *pg 6*
- 1.6 Sheathing and Wood Studs—Window Sill. *pg 7*
- 1.21 Sheathing and Wood Studs—Window Sill - Stone Partial Panel. *pg 8*
- 1.7 Sheathing and Wood Studs—Window Jamb. *pg 9*
- 1.8 Sheathing and Wood Studs—Window Head with Versetta® J-Channel. *pg 10*
- 1.8A Sheathing and Wood Studs—Window Head with Versetta® Starter Strip. *pg 11*
- 1.12A Top of Framed Wall at Roof—Tight Eave. *pg 12*
- 1.13 Sheathing and Wood Studs—Vertical Wood Trim. *pg 13*
- 1.14A Horizontal Trim Flashing. *pg 14*
- 1.14B Sheathing and Wood Studs—Siding Termination without Versetta® Sill *pg 15*
- 1.15 Trim Stone Window—Jamb Termination. *pg 16*
- 1.16 Trim Stone Door—Jamb Termination. *pg 17*
- 1.17 Soffit Termination. *pg 18*
- 1.18 Electrical/Light Box Accessory. *pg 19*
- 1.19 16" Square Column. *pg 20*
- 1.20 Bay Window Miter Detail. *pg 21*

These construction details are provided to assist in the installation of BORAL Versetta Stone® product(s). These construction details will not necessarily apply to every design circumstance that you encounter. These construction details may, and most likely will, require modifications to meet your particular design requirements. Manufacturer accepts no responsibility or liability for the use of these or other construction details.

VERSETTA STONE®

FLASHING AND CONSTRUCTION DETAILS



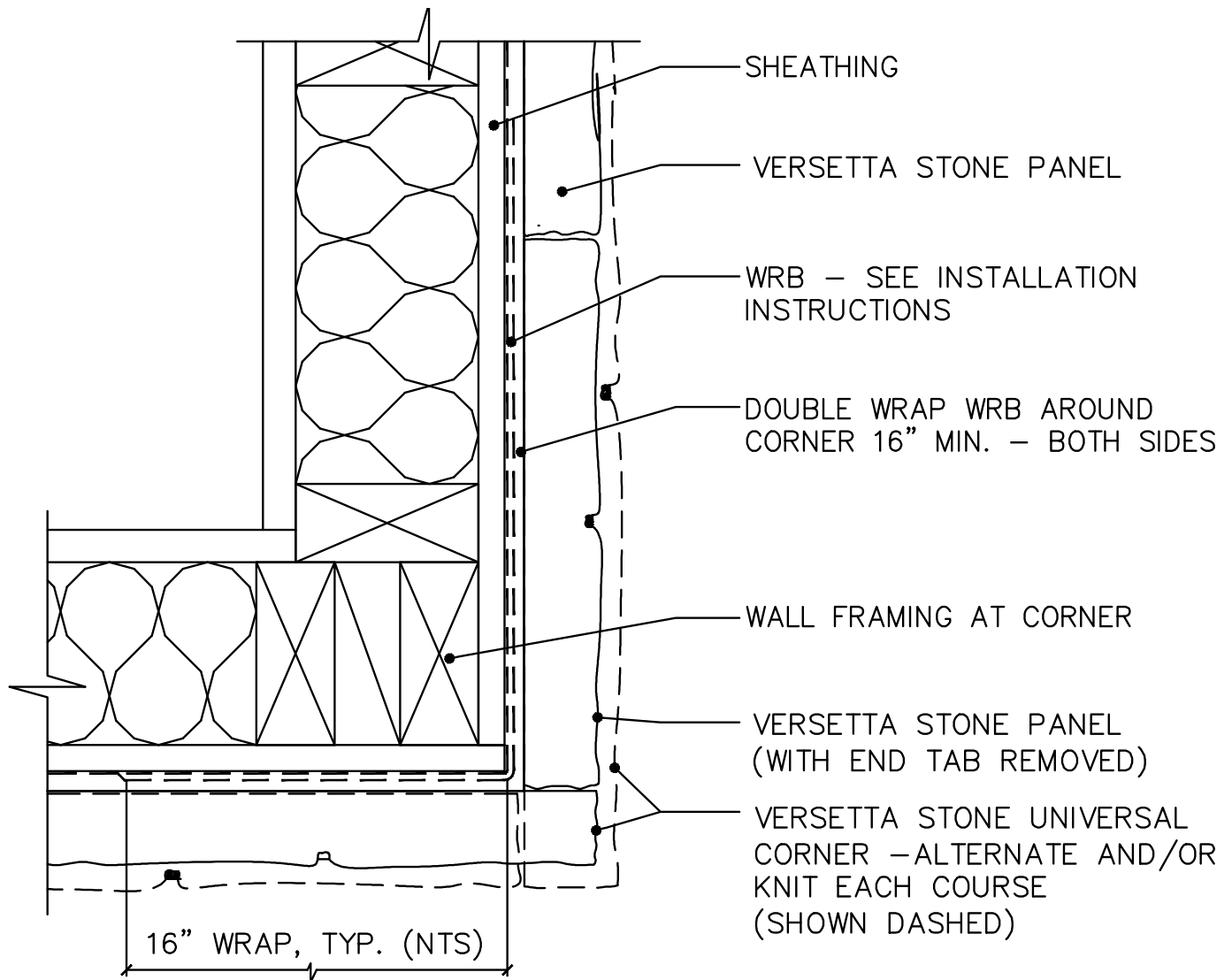
Sheathing and Wood Studs —
Foundation Wall Base

Scale: 3" = 1'-0"

1-X
1.1

VERSETTA STONE®

FLASHING AND CONSTRUCTION DETAILS



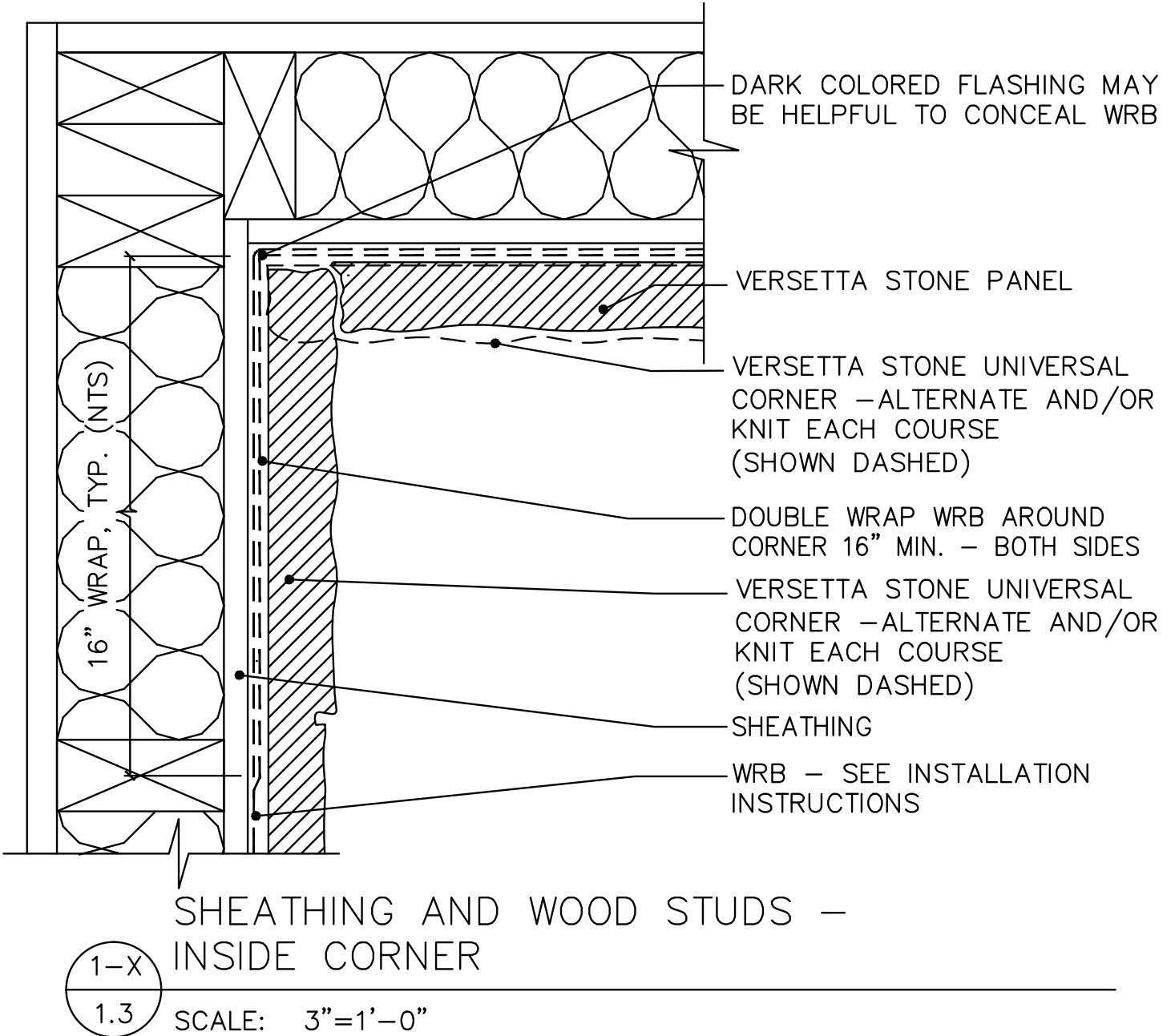
SHEATHING AND WOOD STUDS -
UNIVERSAL CORNER

1-X
1.2

SCALE: 3"=1'-0"

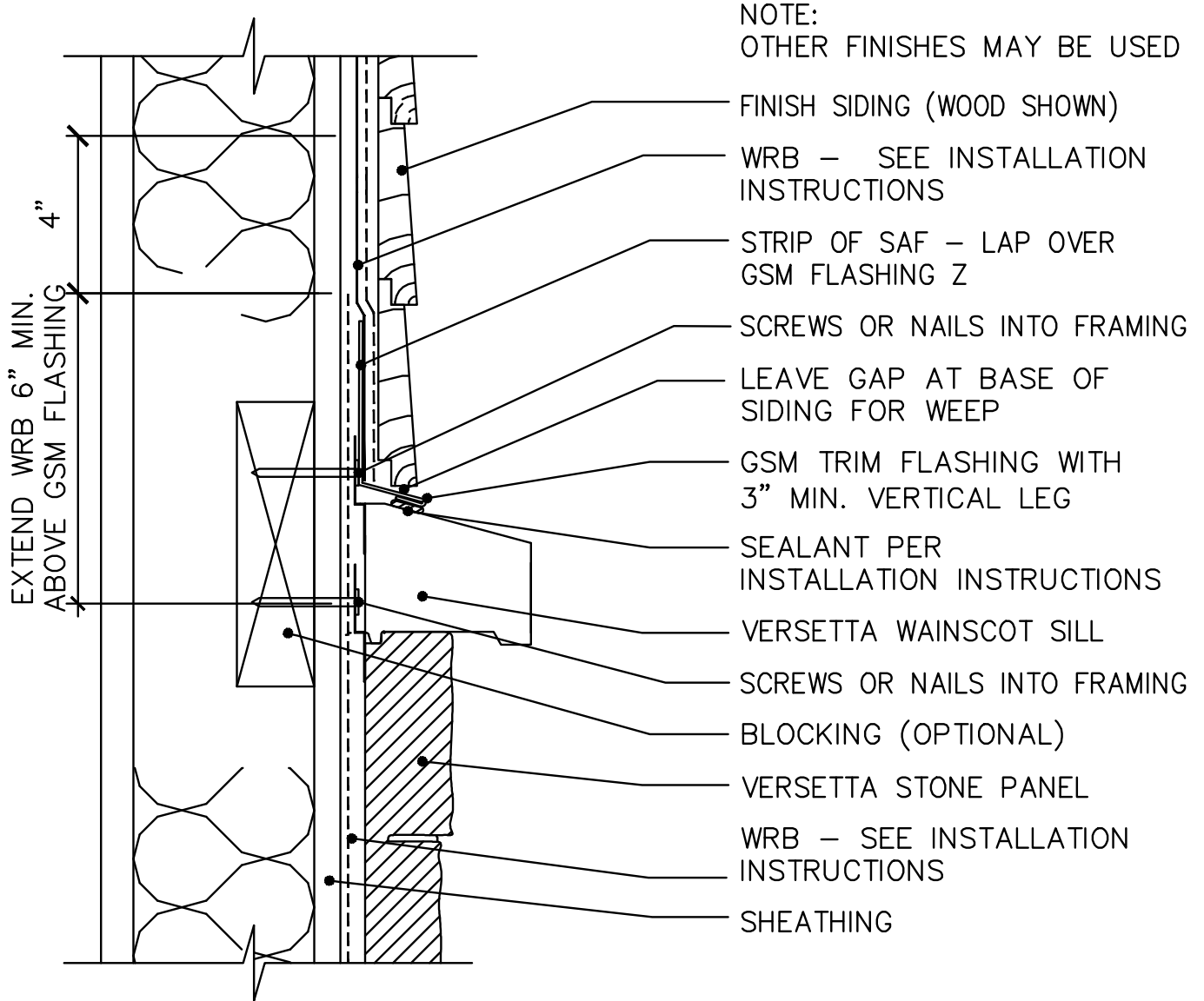
VERSETTA STONE®

FLASHING AND CONSTRUCTION DETAILS



VERSETTA STONE®

FLASHING AND CONSTRUCTION DETAILS



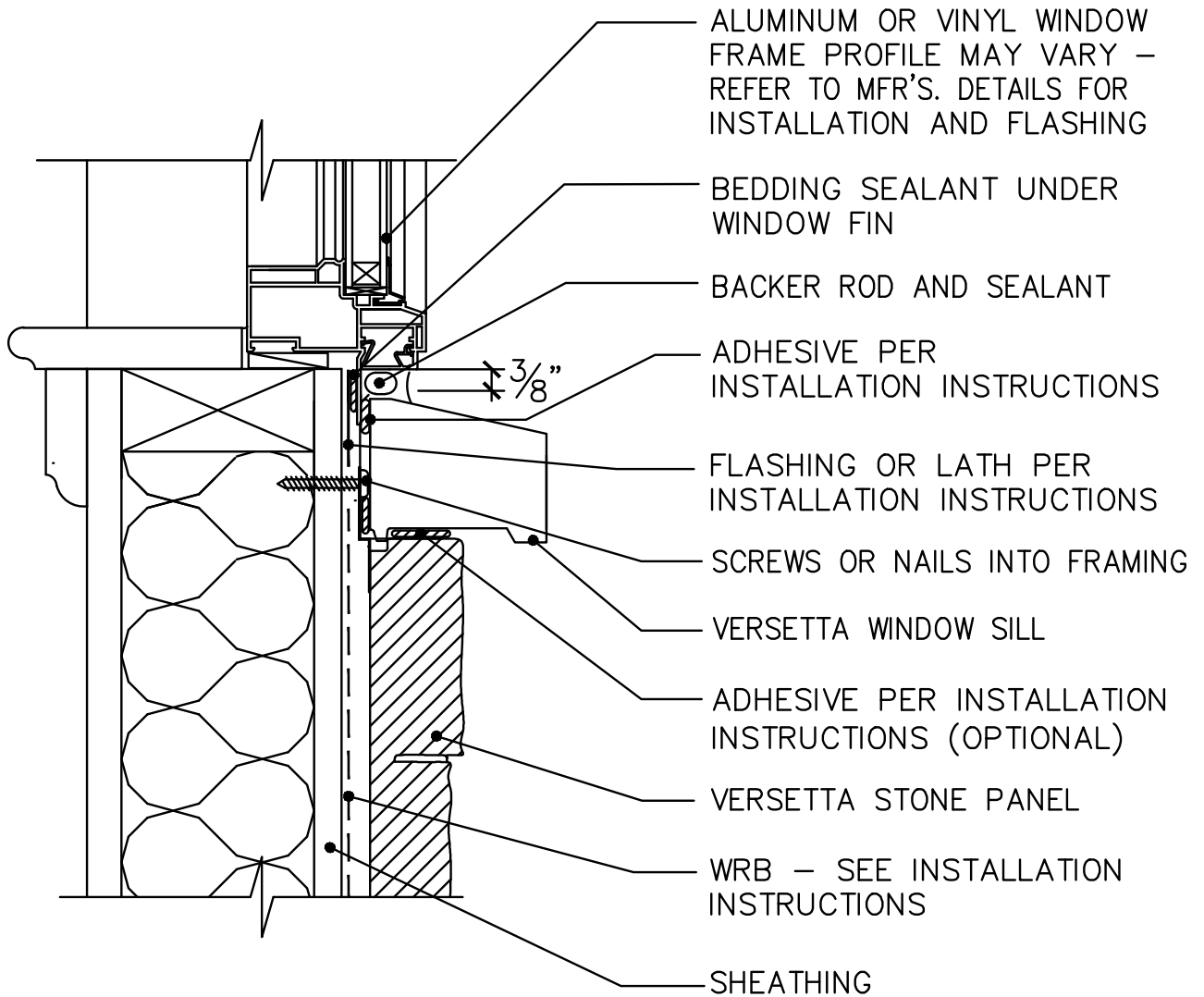
SHEATHING / WOOD STUDS –
SIDING TERMINATION WITH VERSETTA SILL

1-X
1.4

SCALE: 3"=1'-0"

VERSETTA STONE®

FLASHING AND CONSTRUCTION DETAILS



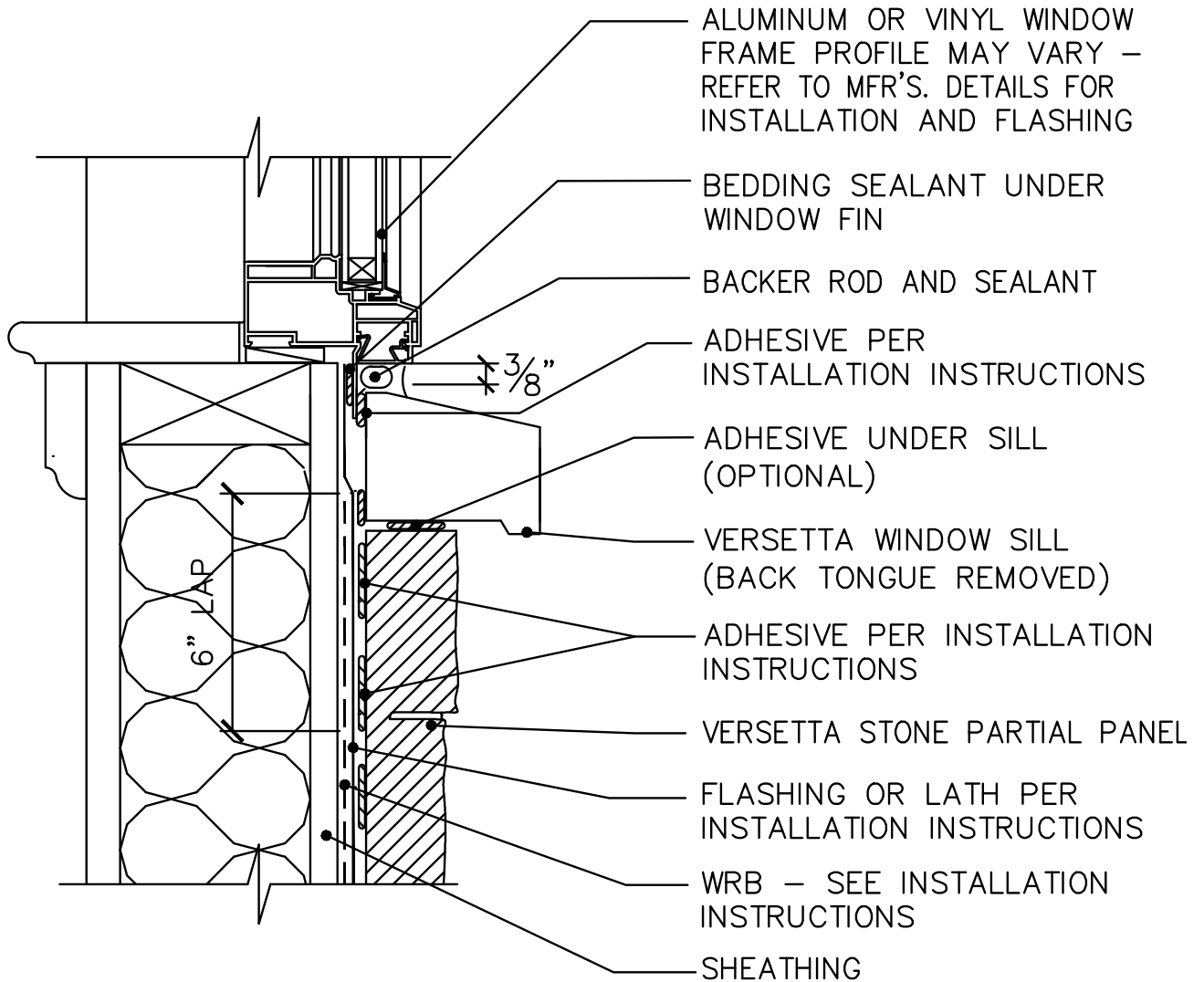
SHEATHING AND WOOD STUDS –
WINDOW SILL

1-X
1.6

SCALE: 3"=1'-0"

VERSETTA STONE®

FLASHING AND CONSTRUCTION DETAILS



SHEATHING AND WOOD STUDS —
WINDOW SILL—STONE PARTIAL PANEL

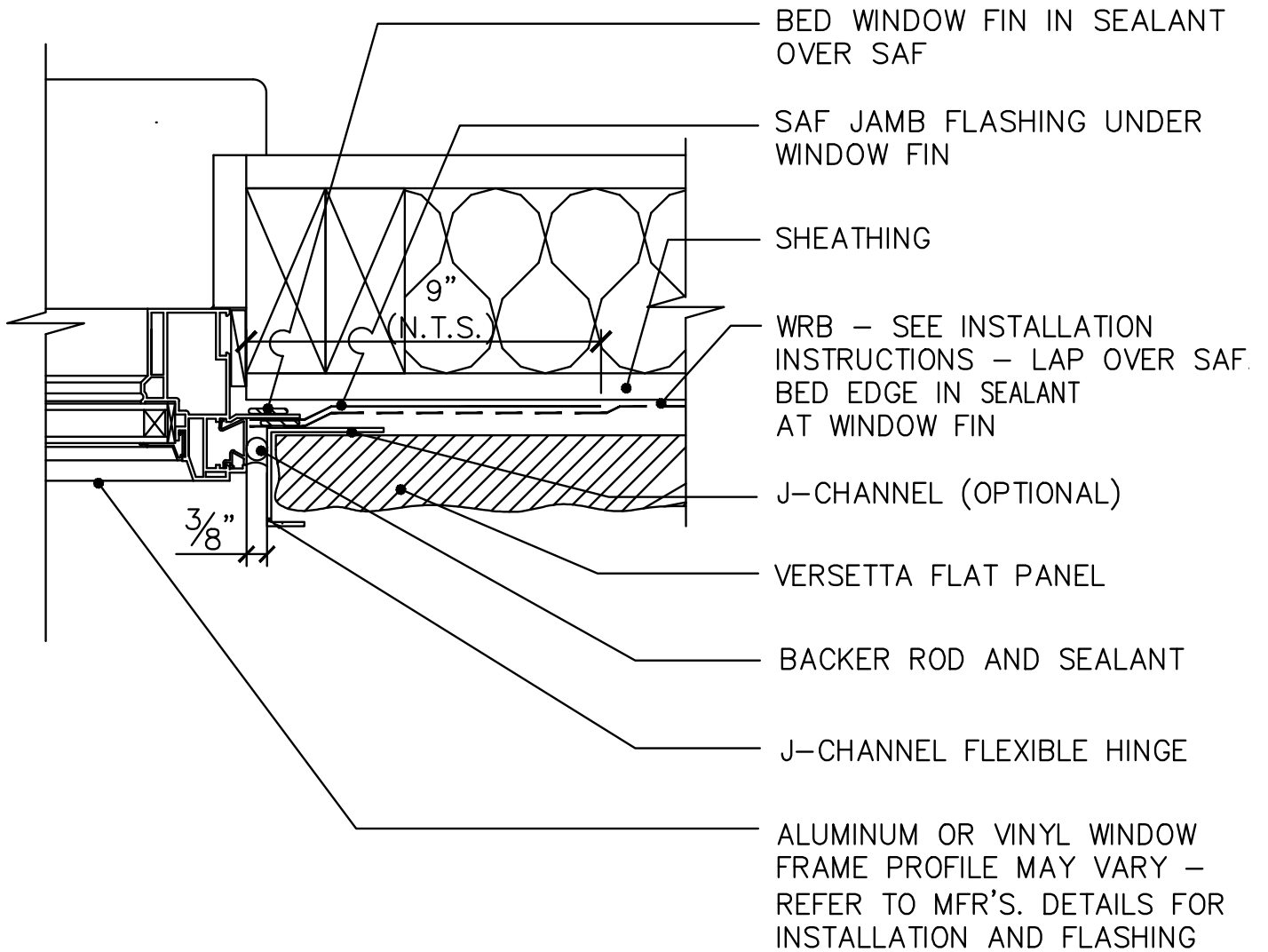
1-X

1.21

SCALE: 3"=1'-0"

VERSETTA STONE®

FLASHING AND CONSTRUCTION DETAILS



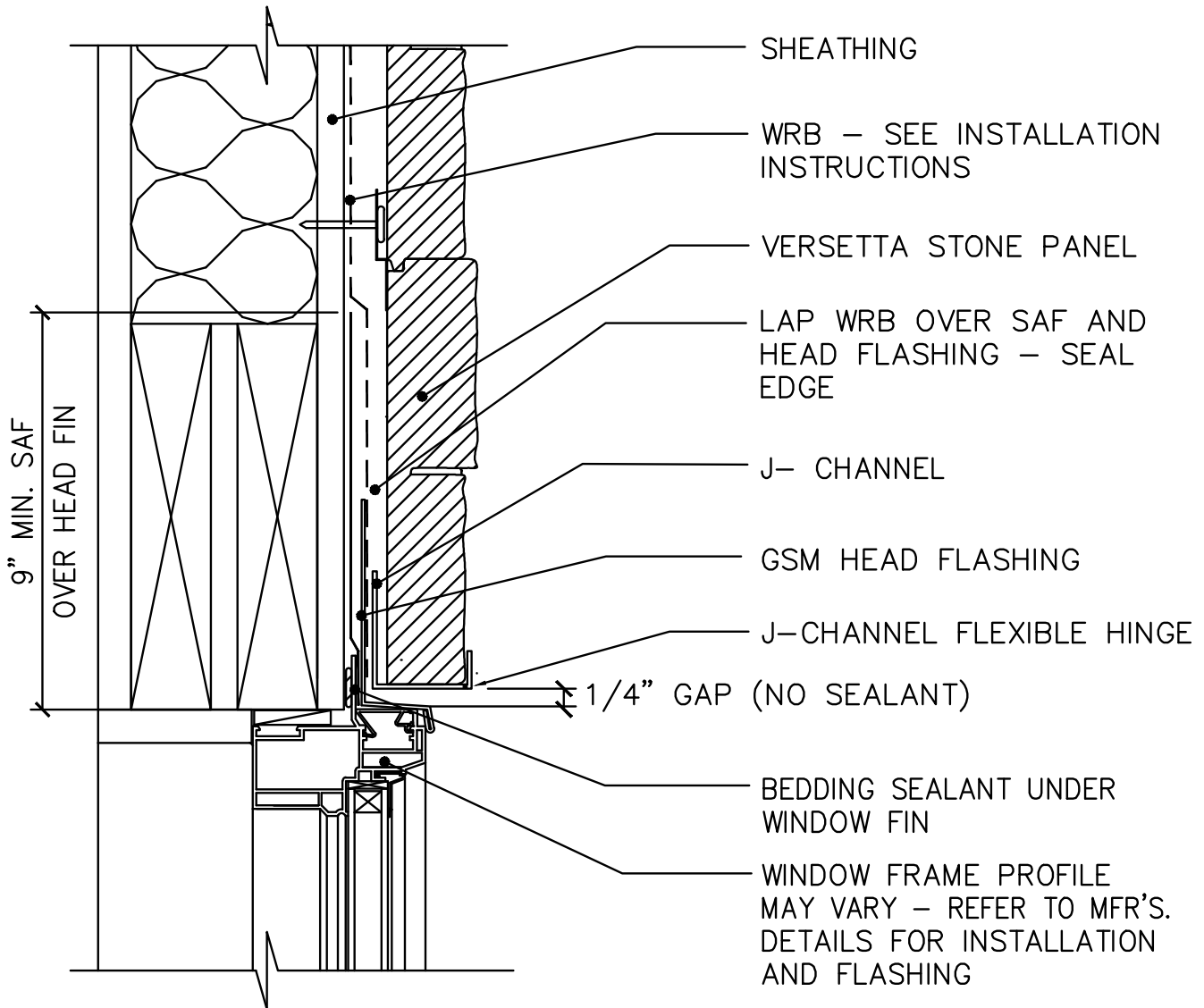
SHEATHING AND WOOD STUDS –
WINDOW JAMB

1-X
1.7

SCALE: 3"=1'-0"

VERSETTA STONE®

FLASHING AND CONSTRUCTION DETAILS



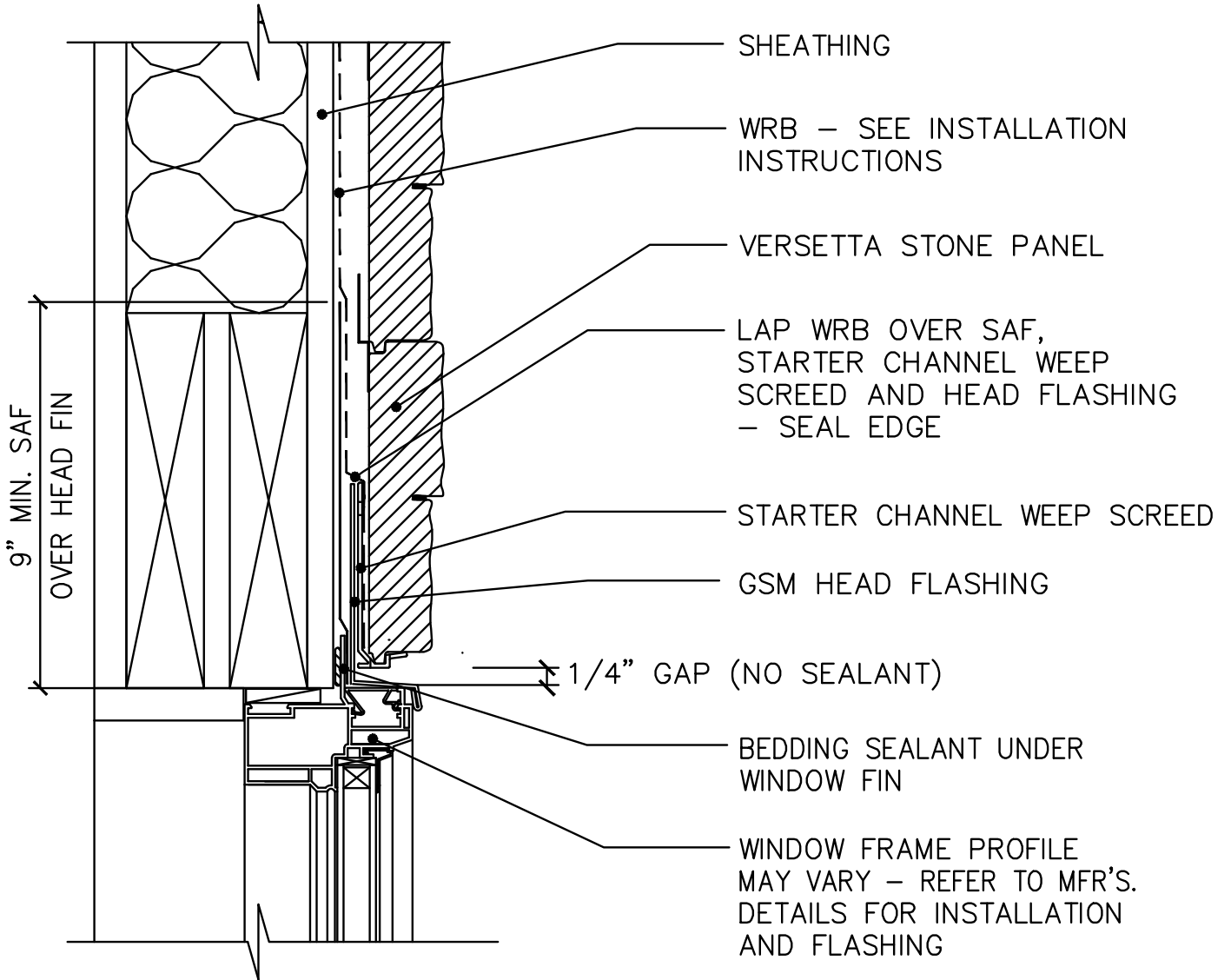
SHEATHING AND WOOD STUDS –
WINDOW HEAD – TYP., NAIL-FIN

1-X
1.8

SCALE: 3"=1'-0"

VERSETTA STONE®

FLASHING AND CONSTRUCTION DETAILS



SHEATHING AND WOOD STUDS –
WINDOW HEAD – TYP., NAIL-FIN

1-X
1.8A

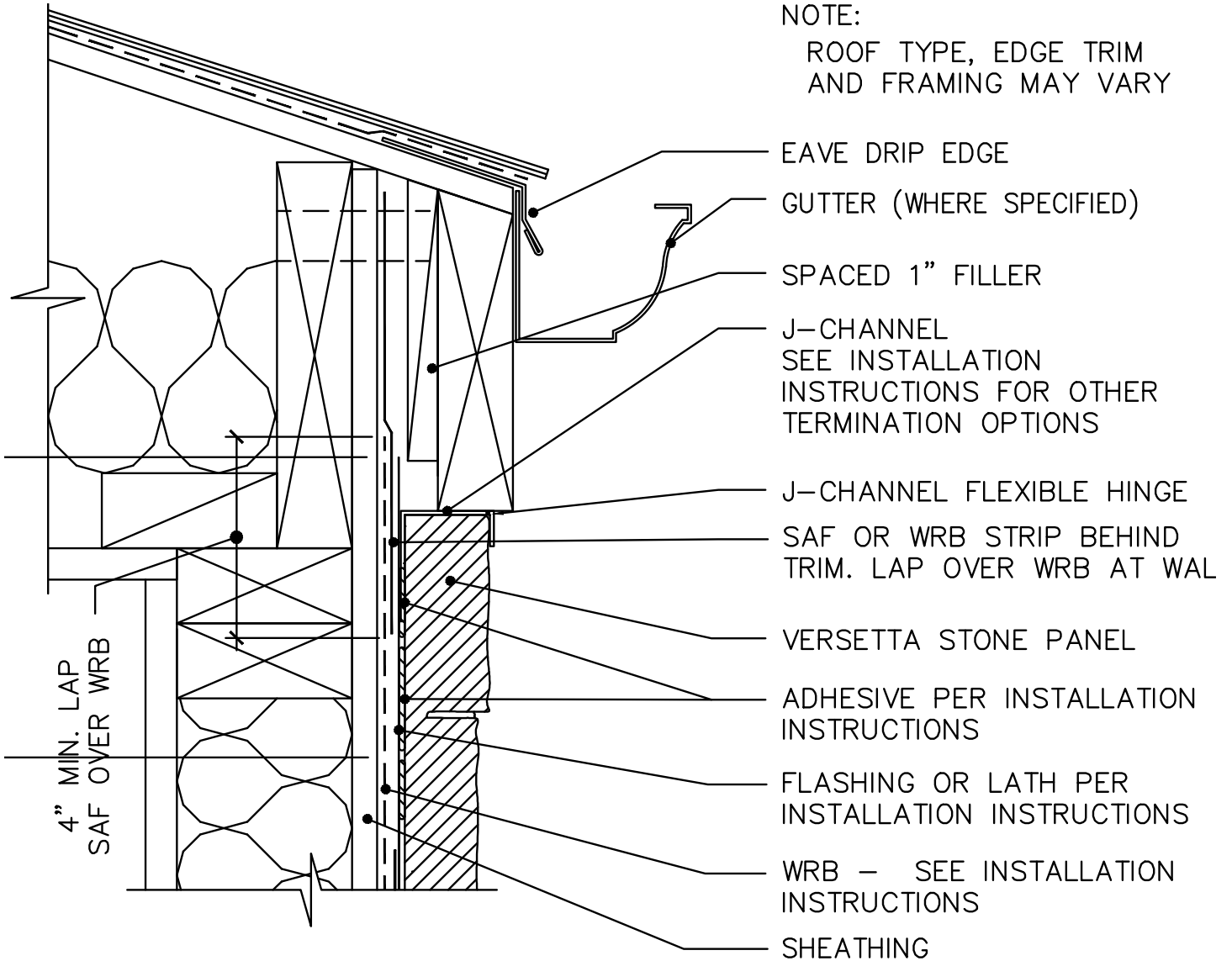
SCALE: 3"=1'-0"

VERSETTA STONE®

FLASHING AND CONSTRUCTION DETAILS

NOTE:

ROOF TYPE, EDGE TRIM
AND FRAMING MAY VARY



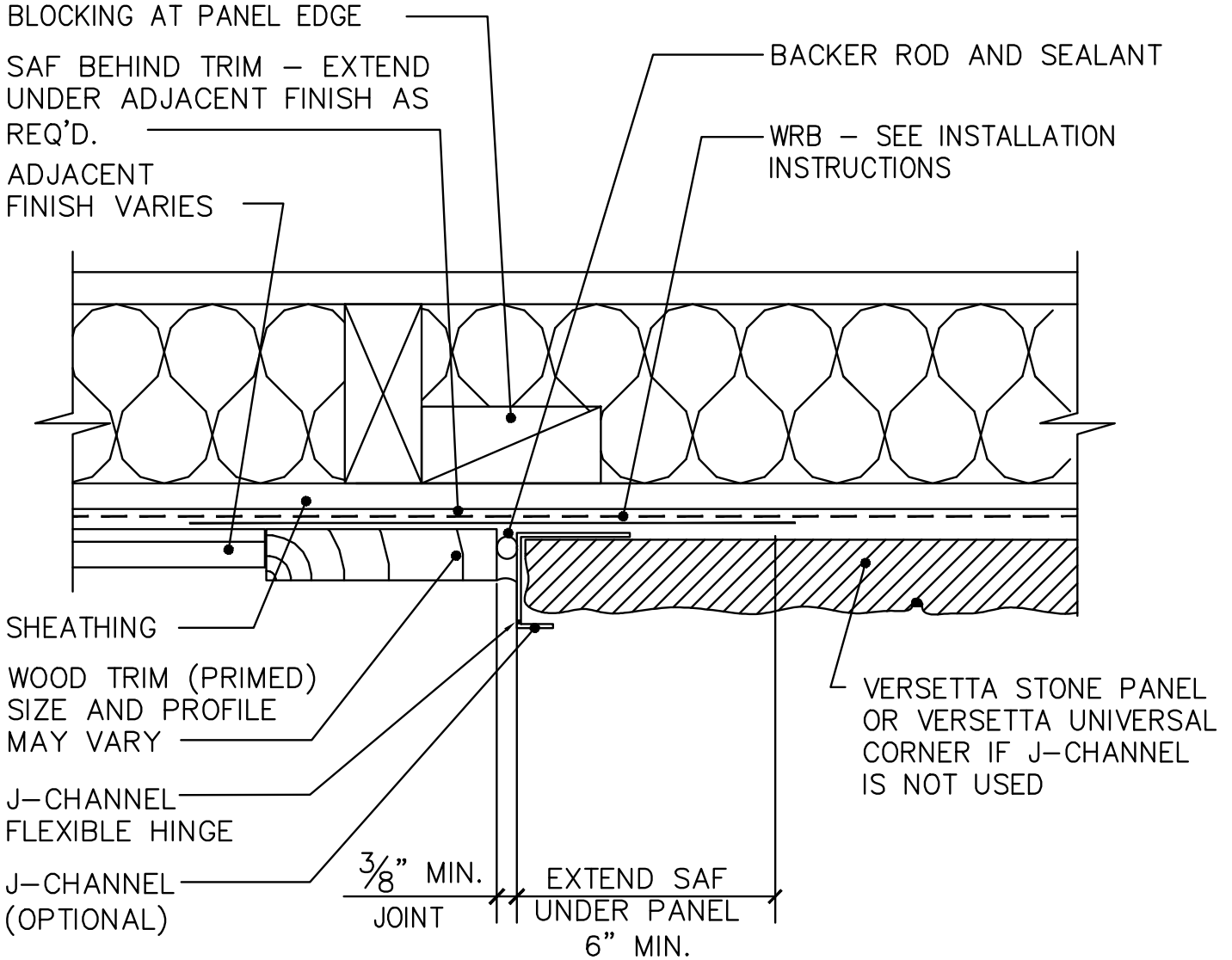
TOP OF FRAMED WALL AT ROOF —
TIGHT EAVE

1-X
1.12A

SCALE: 3"=1'-0"

VERSETTA STONE®

FLASHING AND CONSTRUCTION DETAILS



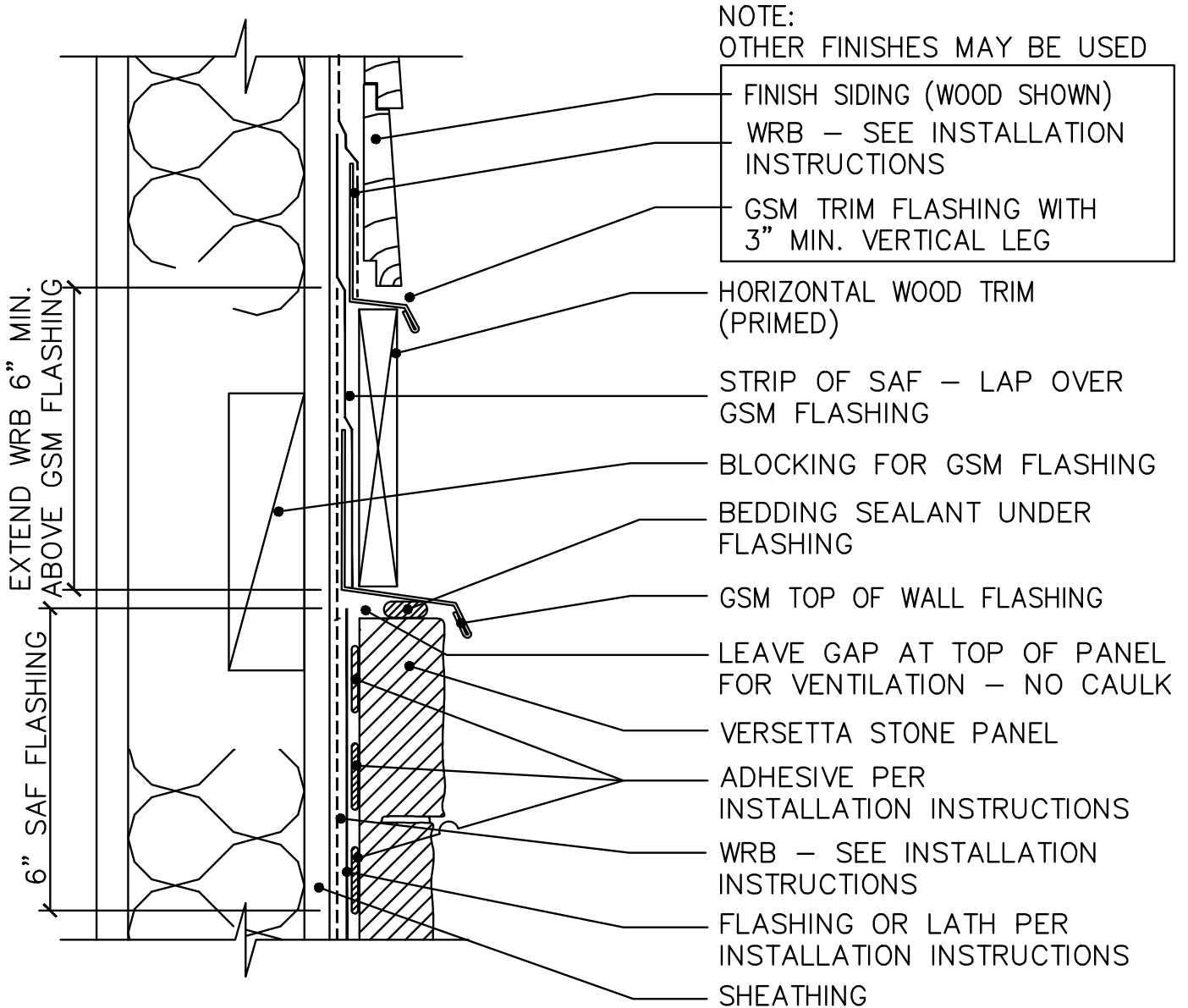
SHEATHING AND WOOD STUDS -
VERTICAL WOOD TRIM

1-X
1.13

SCALE: 3"=1'-0"

VERSETTA STONE®

FLASHING AND CONSTRUCTION DETAILS



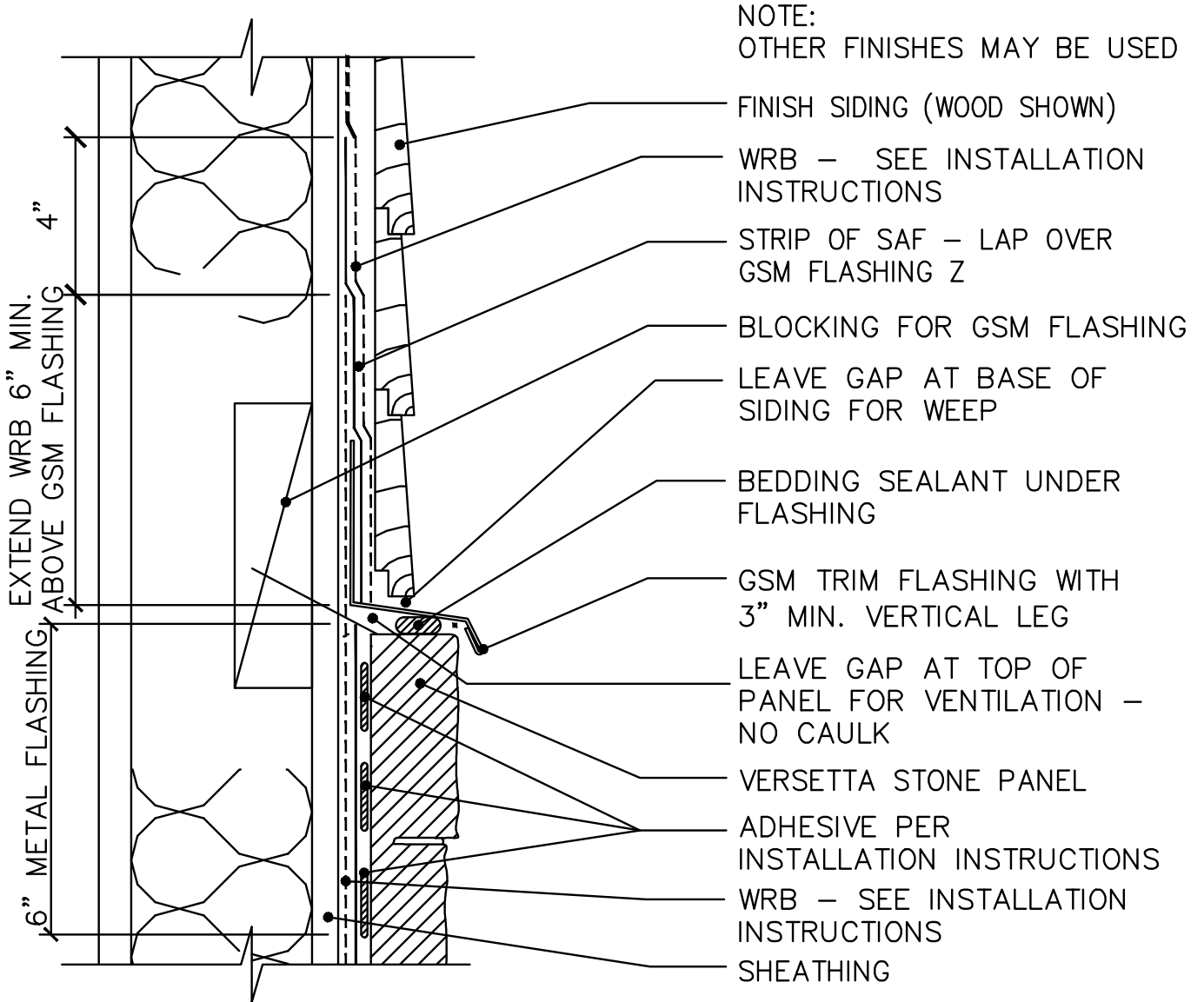
1-X
1.14A

HORIZONTAL TRIM FLASHING

SCALE: 3"=1'-0"

VERSETTA STONE®

FLASHING AND CONSTRUCTION DETAILS



SHEATHING / WOOD STUDS –

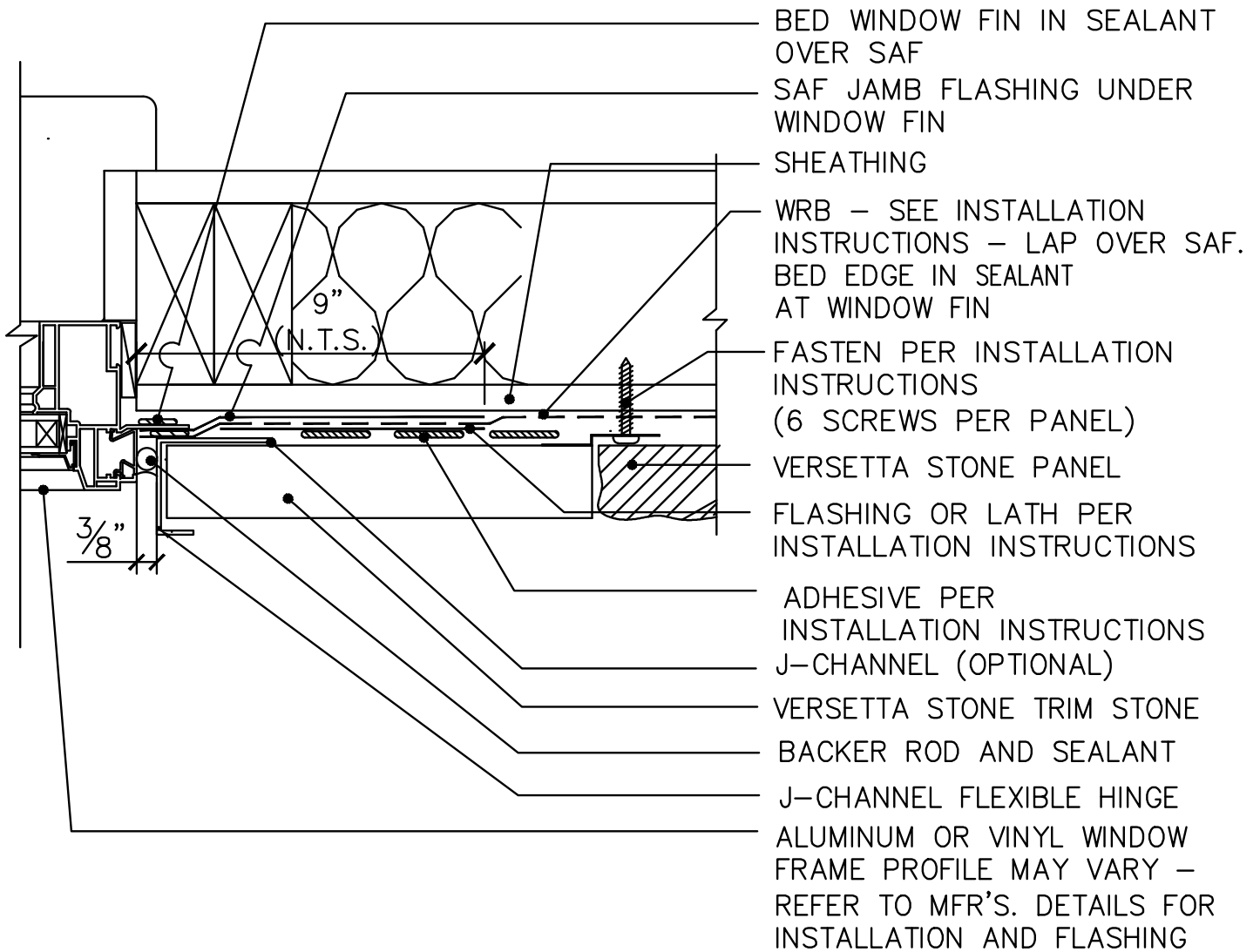
SIDING TERMINATION WITHOUT VERSETTA SILL

1-X
1.14B

SCALE: 3"=1'-0"

VERSETTA STONE®

FLASHING AND CONSTRUCTION DETAILS



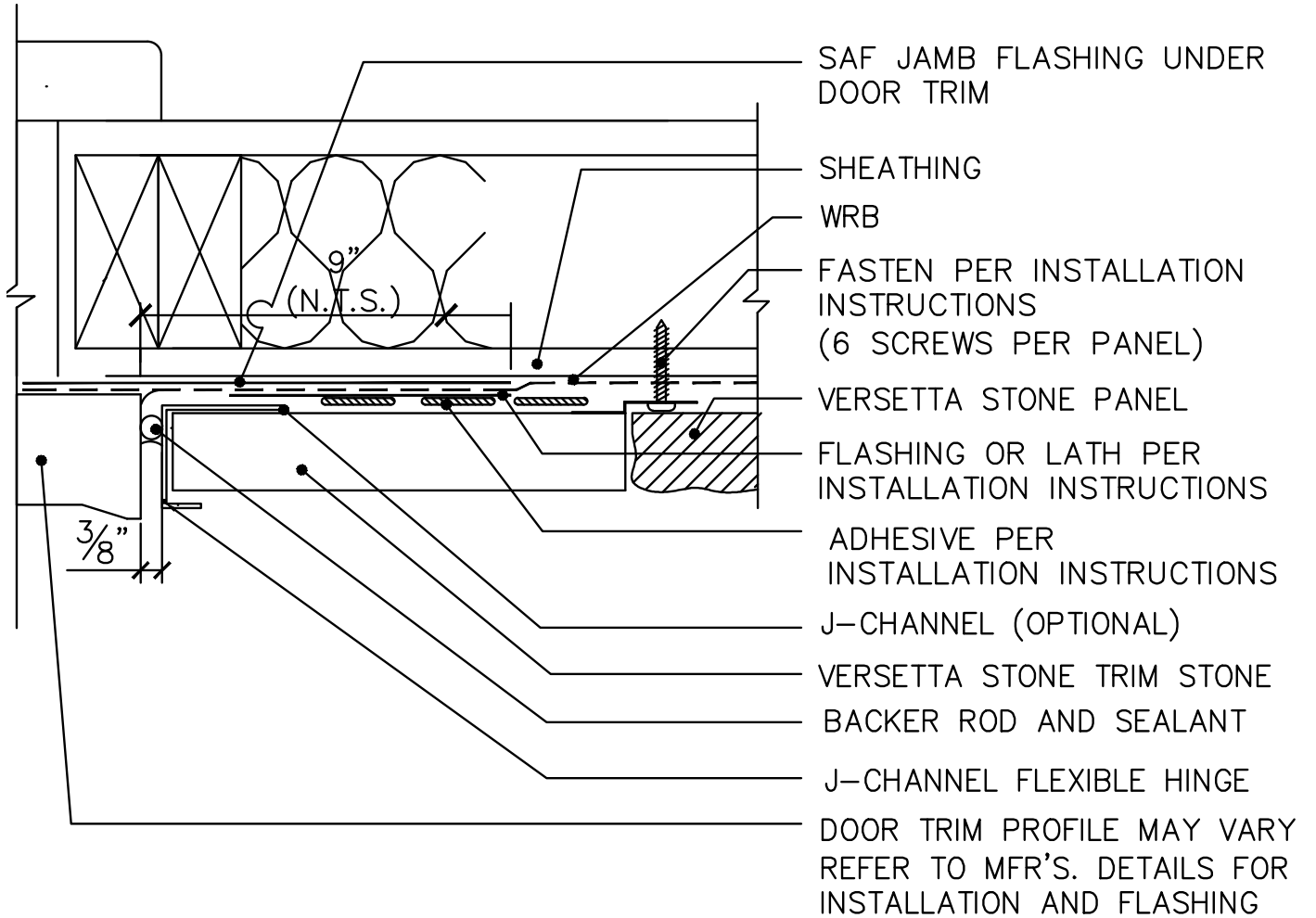
TRIM STONE WINDOW
JAMB TERMINATION

1-X
1.15

SCALE: 3"=1'-0"

VERSETTA STONE®

FLASHING AND CONSTRUCTION DETAILS



TRIM STONE DOOR
JAMB TERMINATION

1-X

1.16

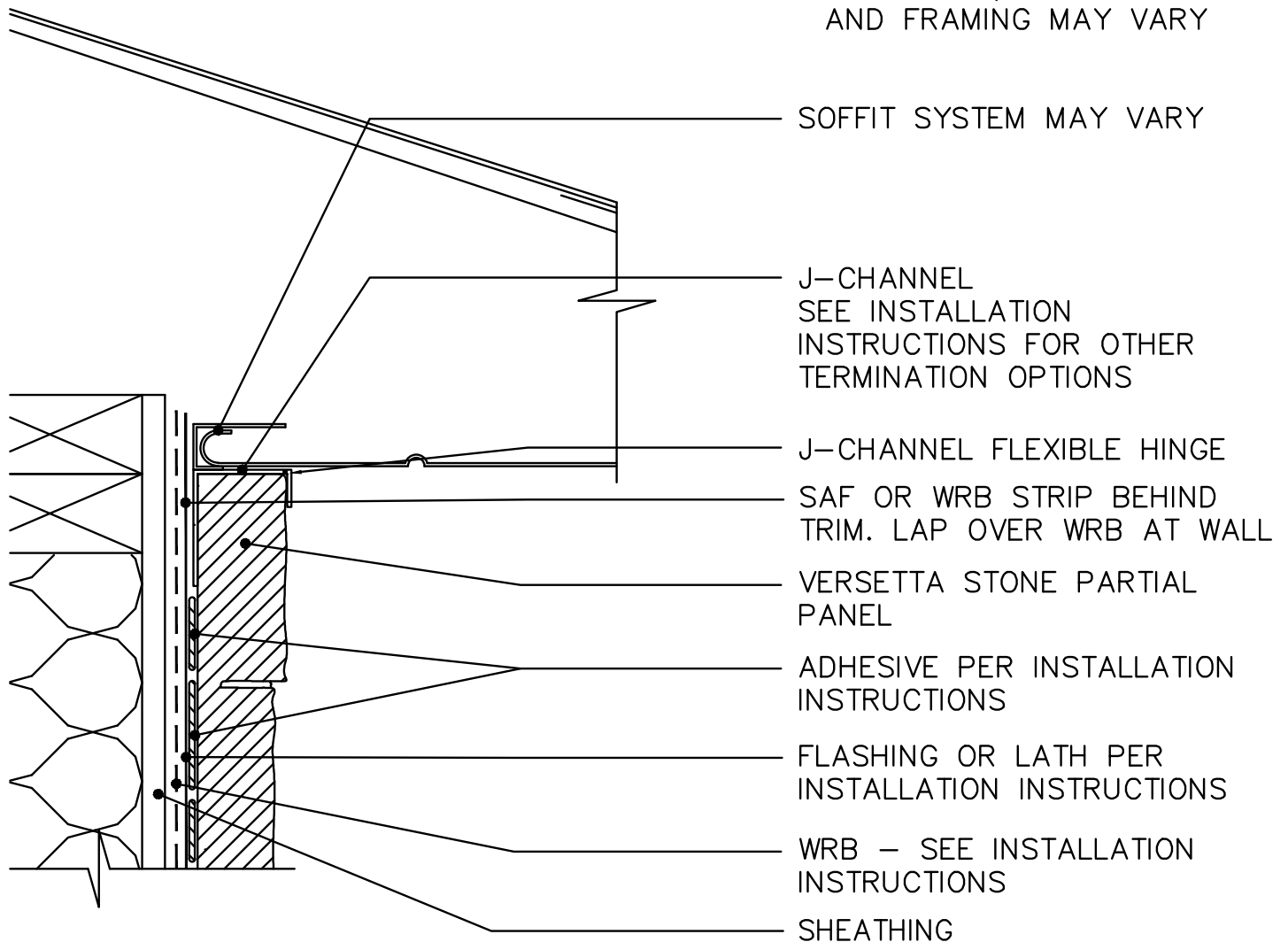
SCALE: 3"=1'-0"

VERSETTA STONE®

FLASHING AND CONSTRUCTION DETAILS

NOTE:

ROOF TYPE, EDGE TRIM
AND FRAMING MAY VARY

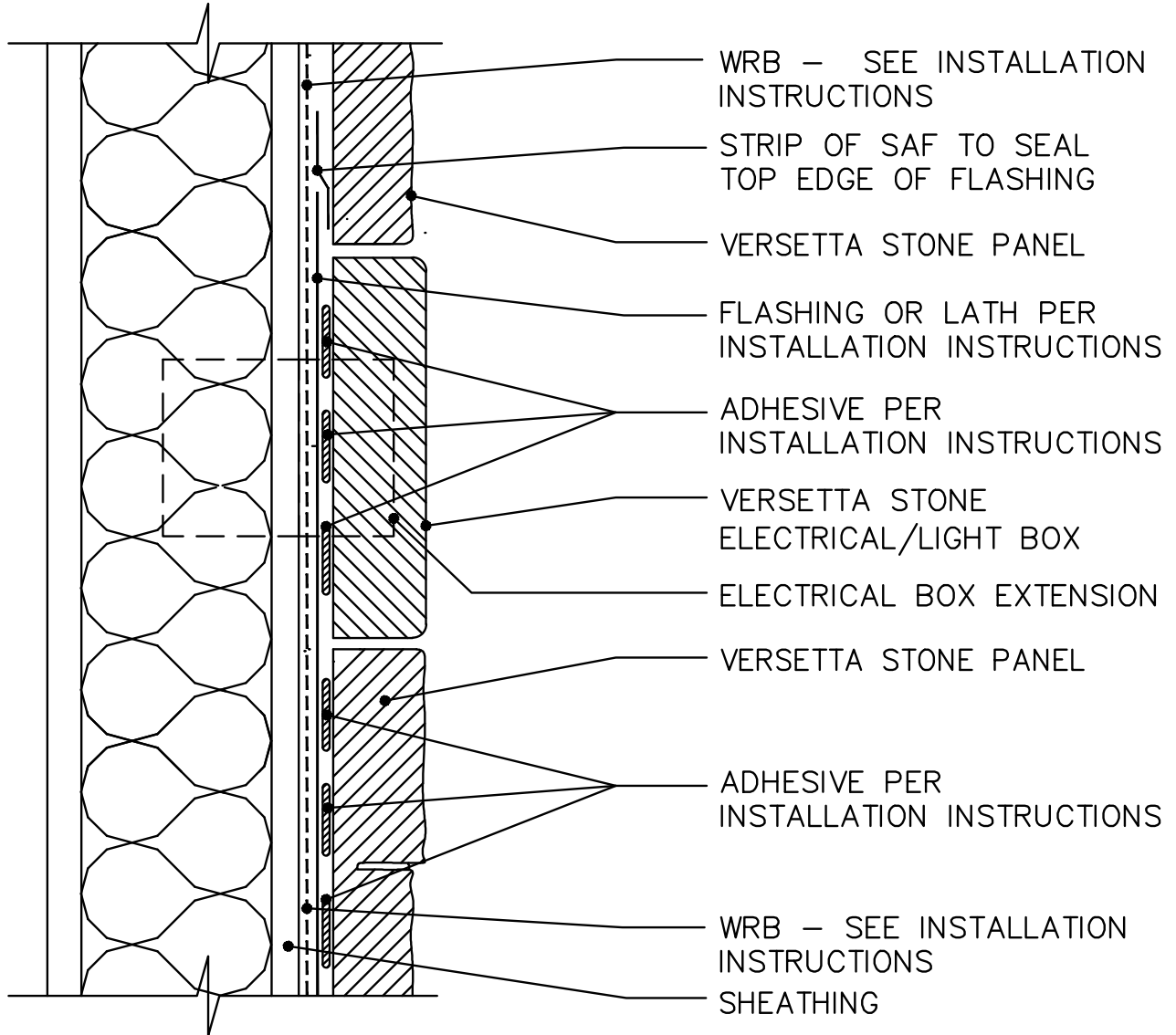


1-X SOFFIT TERMINATION

1.17 SCALE: 3"=1'-0"

VERSETTA STONE®

FLASHING AND CONSTRUCTION DETAILS

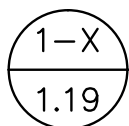
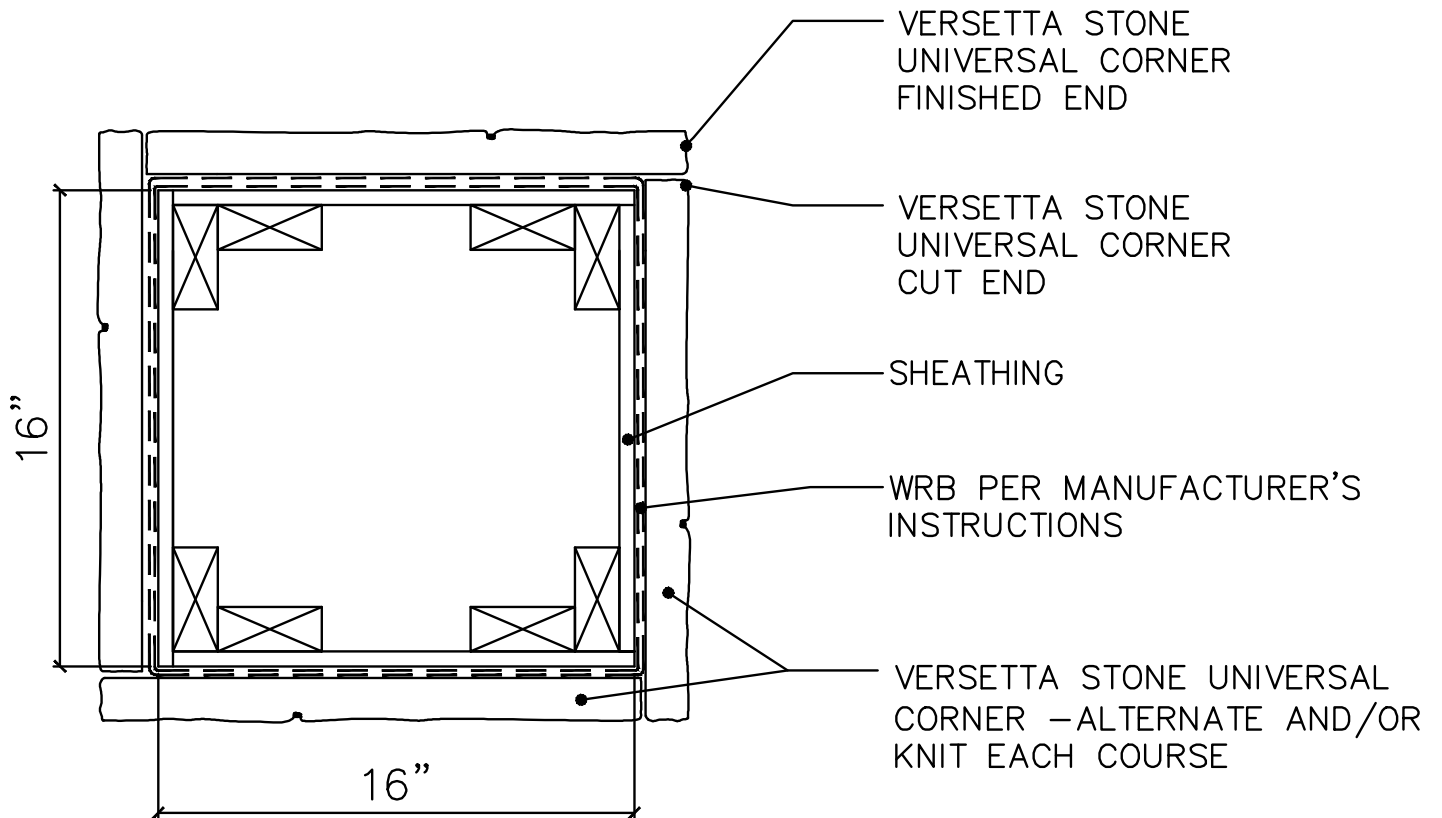


1-X ELECTRICAL/LIGHT BOX ACCESSORY

1.18 SCALE: 3"=1'-0"

VERSETTA STONE®

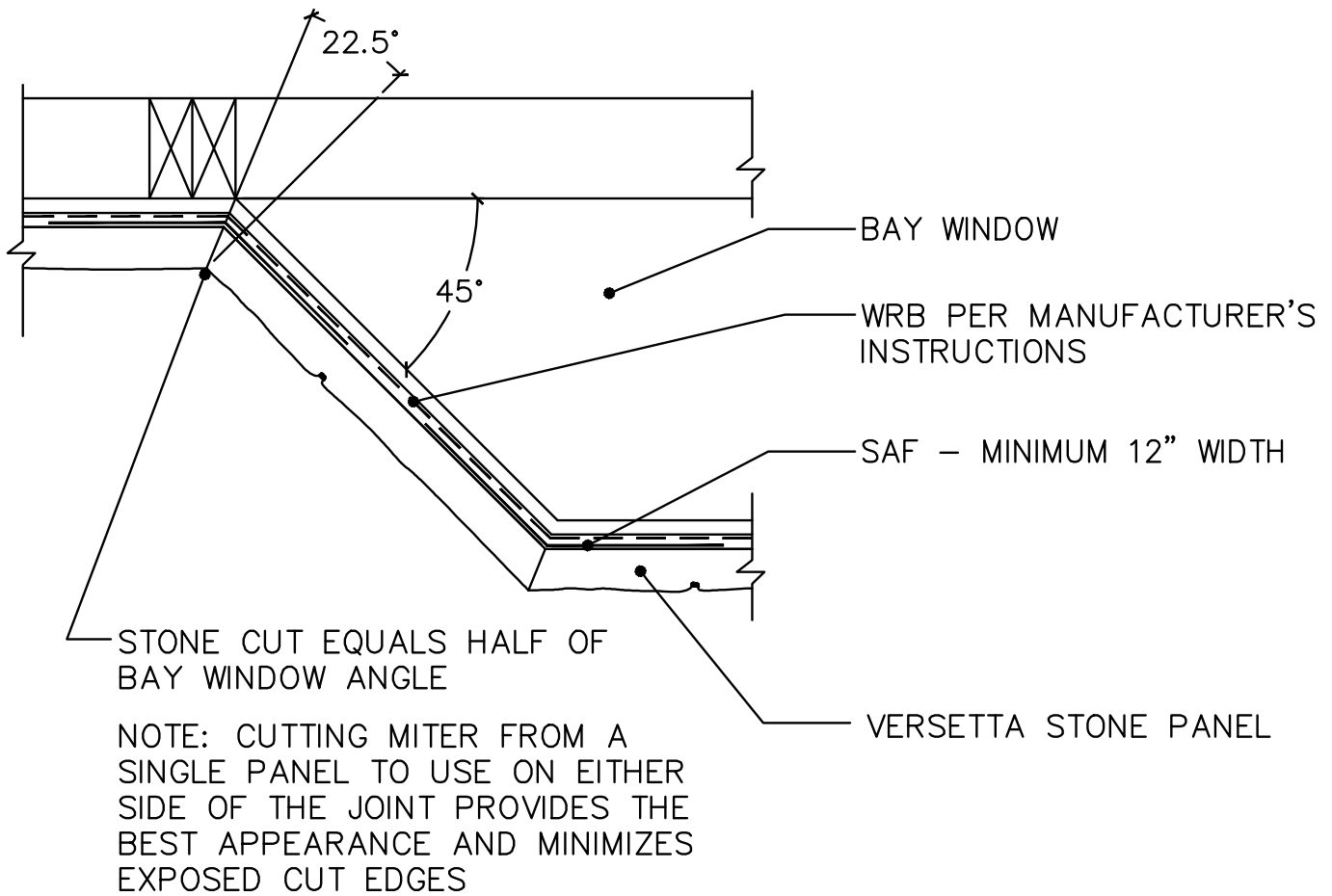
FLASHING AND CONSTRUCTION DETAILS



16" SQUARE COLUMN
CONSTRUCTED WITH ALL UNIVERSAL CORNERS

VERSETTA STONE®

FLASHING AND CONSTRUCTION DETAILS



1-X BAY WINDOW MITER DETAIL
1.20

For additional information on Versetta Stone products
visit VersettaStone.com
or call 1-800-255-1727



BORAL
BUILDING PRODUCTS

Atlantic® Premium Shutters | Builders Edge® | Foundry® Specialty Siding | Grayne® Engineered Composite Shingle
Kleer® | Mid-America Siding Components® | SturdiMount® | Tapco Tools® | TruExterior® Siding & Trim
Vantage® Shutters | Versetta Stone® | Wellcraft Egress Systems®