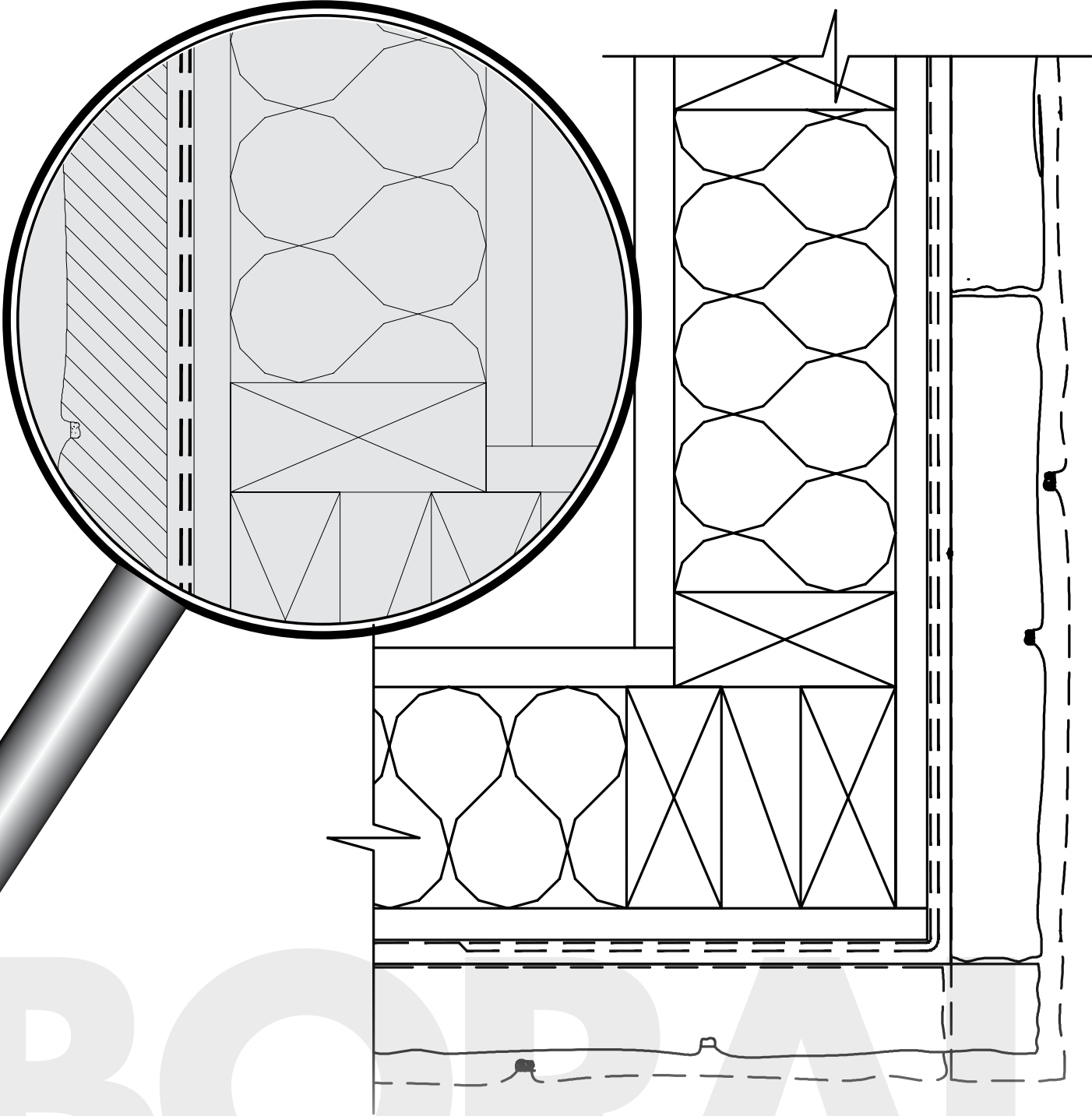


Versetta Stone®

FLASHING AND CONSTRUCTION DETAILS



BORAL

Table of Contents

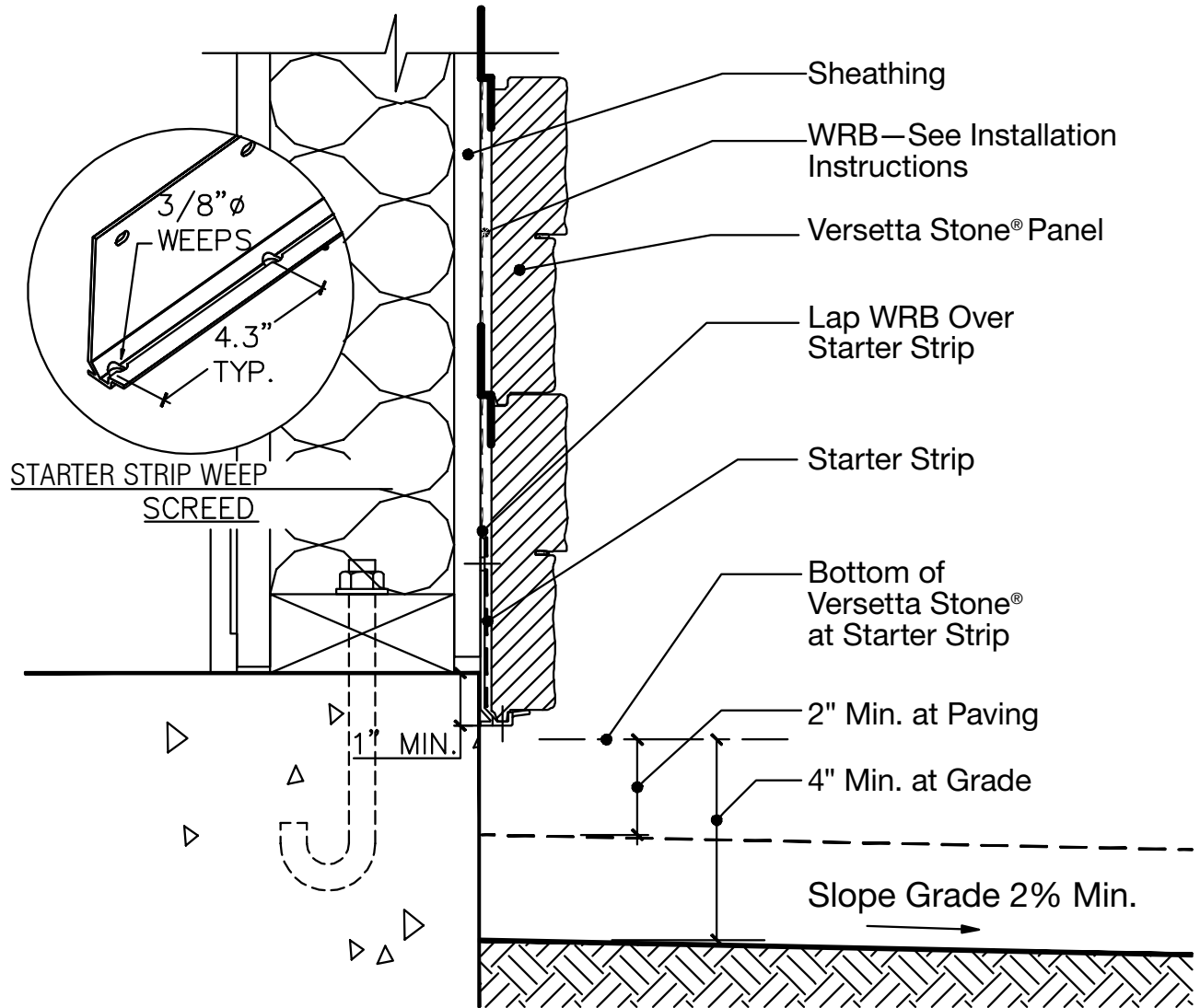
Figure

- 1.1 Sheathing and Wood Studs—Foundation Wall Base. *pg 3*
- 1.2 Sheathing and Wood Studs—Universal Corner. *pg 4*
- 1.3 Sheathing and Wood Studs—Inside Corner. *pg 5*
- 1.4 Sheathing and Wood Studs—Recessed Top of Wall Flashing. *pg 6*
- 1.6 Sheathing and Wood Studs—Window Sill. *pg 7*
- 1.21 Sheathing and Wood Studs—Window Sill - Stone Partial Panel. *pg 8*
- 1.7 Sheathing and Wood Studs—Window Jamb. *pg 9*
- 1.8 Sheathing and Wood Studs—Window Head with Versetta® J-Channel. *pg 10*
- 1.8A Sheathing and Wood Studs—Window Head with Versetta® Starter Strip. *pg 11*
- 1.12A Top of Framed Wall at Roof—Tight Eave. *pg 12*
- 1.13 Sheathing and Wood Studs—Vertical Wood Trim. *pg 13*
- 1.14A Horizontal Trim Flashing. *pg 14*
- 1.14B Sheathing and Wood Studs—Recessed Top of Wall Flashing. *pg 15*
- 1.15 Trim Stone Window—Jamb Termination. *pg 16*
- 1.16 Trim Stone Door—Jamb Termination. *pg 17*
- 1.17 Soffit Termination. *pg 18*
- 1.18 Electrical/Light Box Accessory. *pg 19*
- 1.19 16" Square Column. *pg 20*
- 1.20 Bay Window Miter Detail. *pg 21*

These construction details are provided to assist in the installation of BORAL Versetta Stone® product(s). These construction details will not necessarily apply to every design circumstance that you encounter. These construction details may, and most likely will, require modifications to meet your particular design requirements. Manufacturer accepts no responsibility or liability for the use of these or other construction details.

Versetta Stone®

FLASHING AND CONSTRUCTION DETAILS



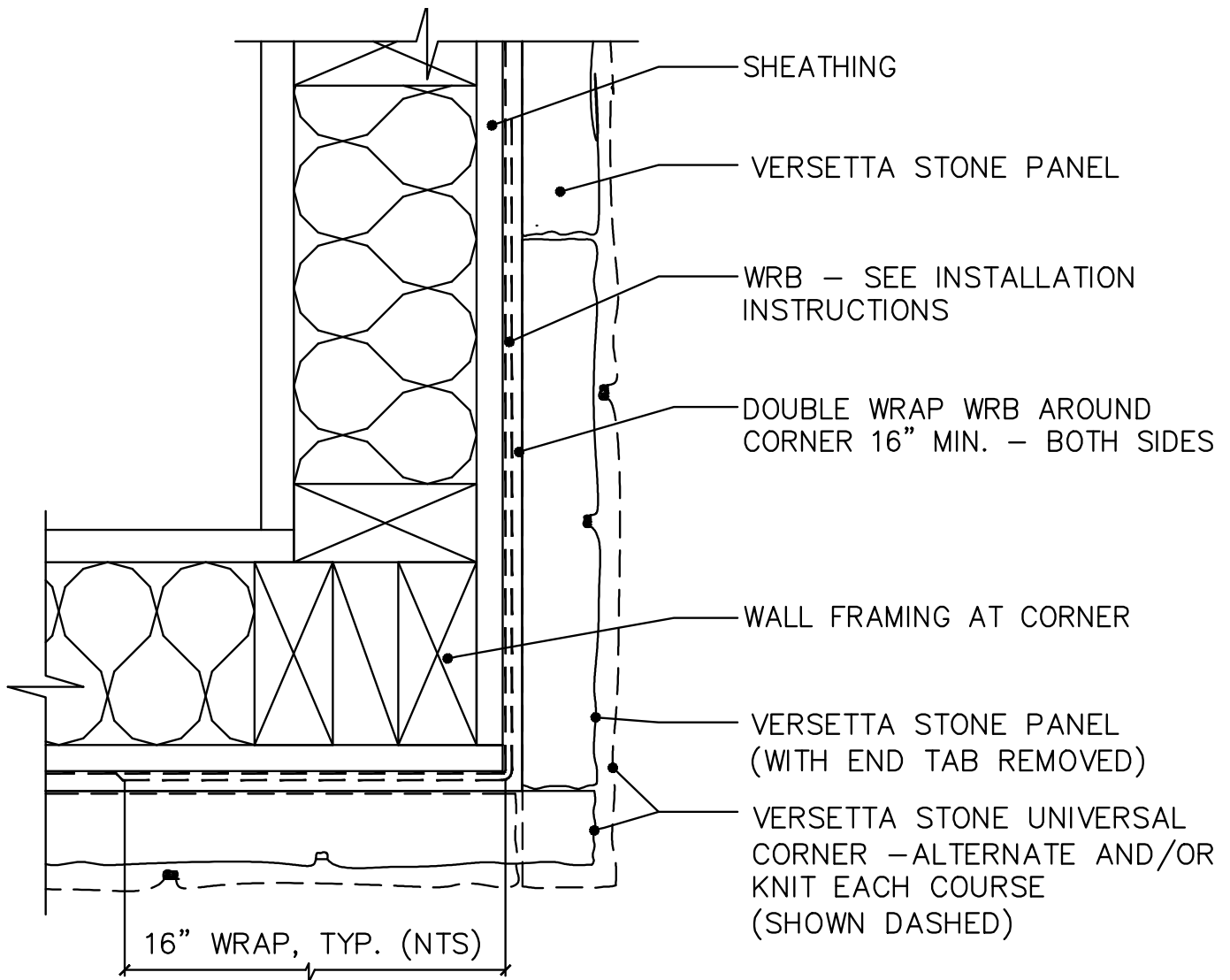
Scale: 3" = 1'-0"

1-X
1.1

BORAL

Versetta Stone®

FLASHING AND CONSTRUCTION DETAILS



SHEATHING AND WOOD STUDS -
UNIVERSAL CORNER

1-X

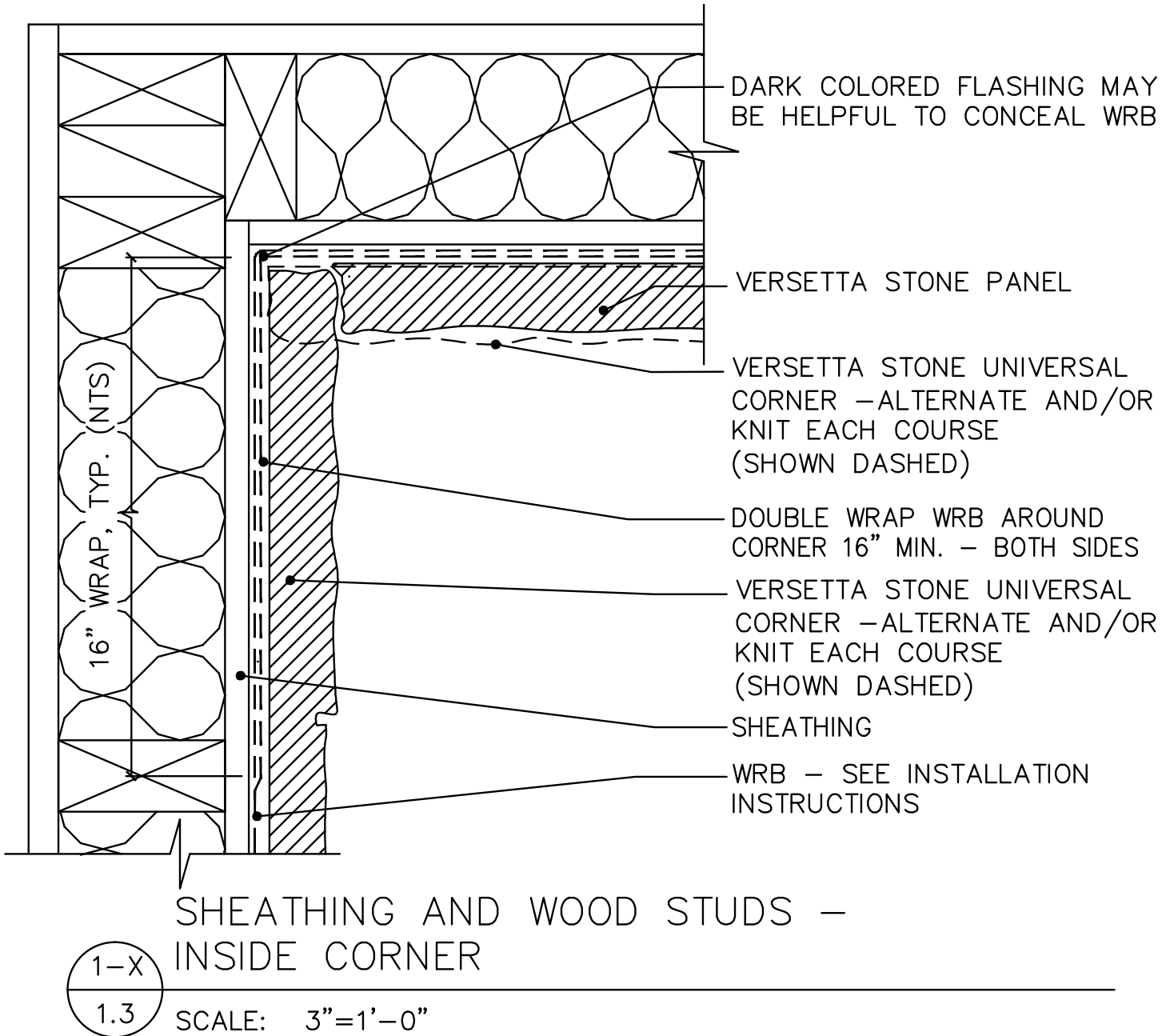
1.2

SCALE: 3"=1'-0"

BORAL

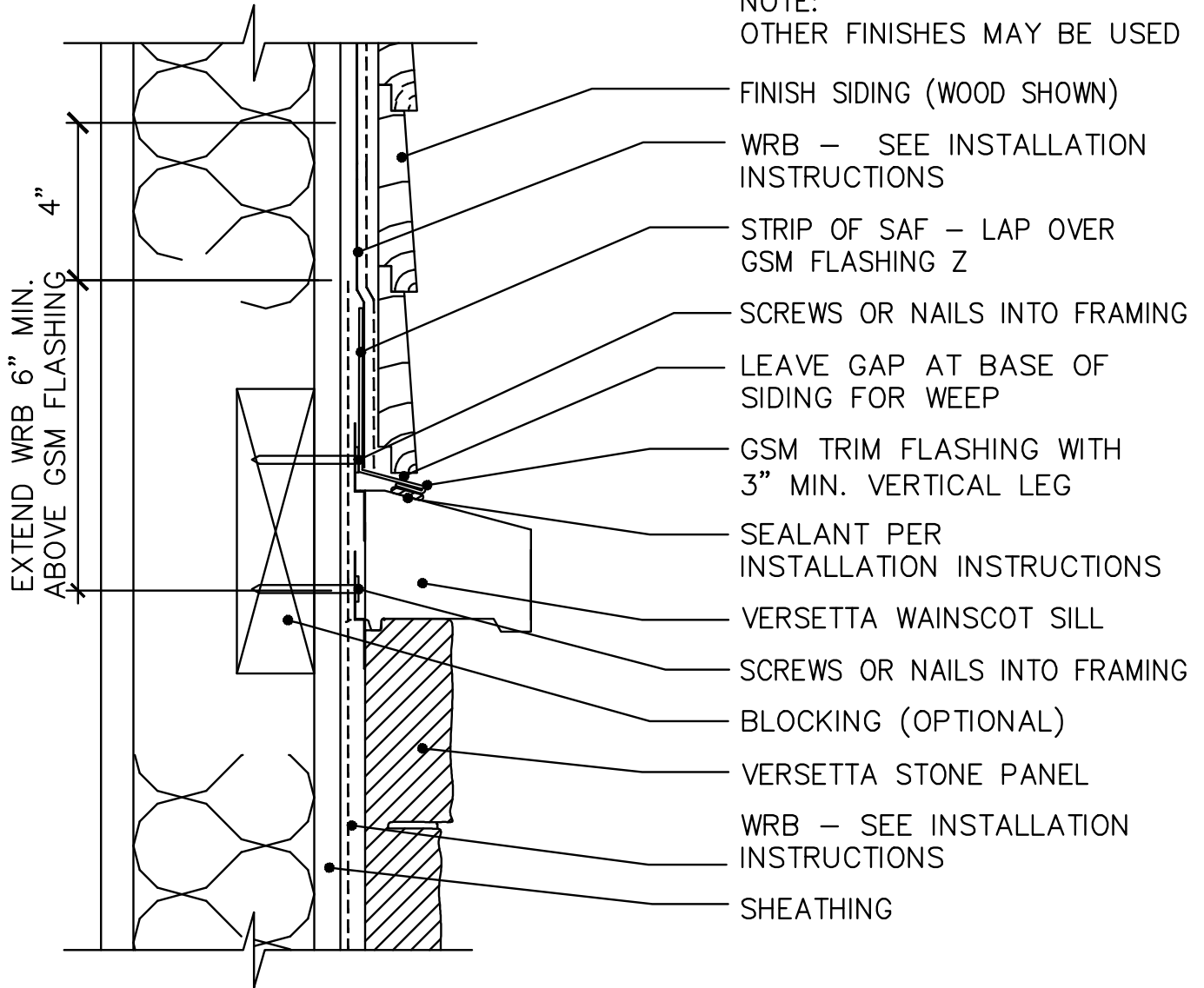
Versetta Stone®

FLASHING AND CONSTRUCTION DETAILS



Versetta Stone®

FLASHING AND CONSTRUCTION DETAILS



SHEATHING / WOOD STUDS –
RECESSED TOP OF WALL FLASHING

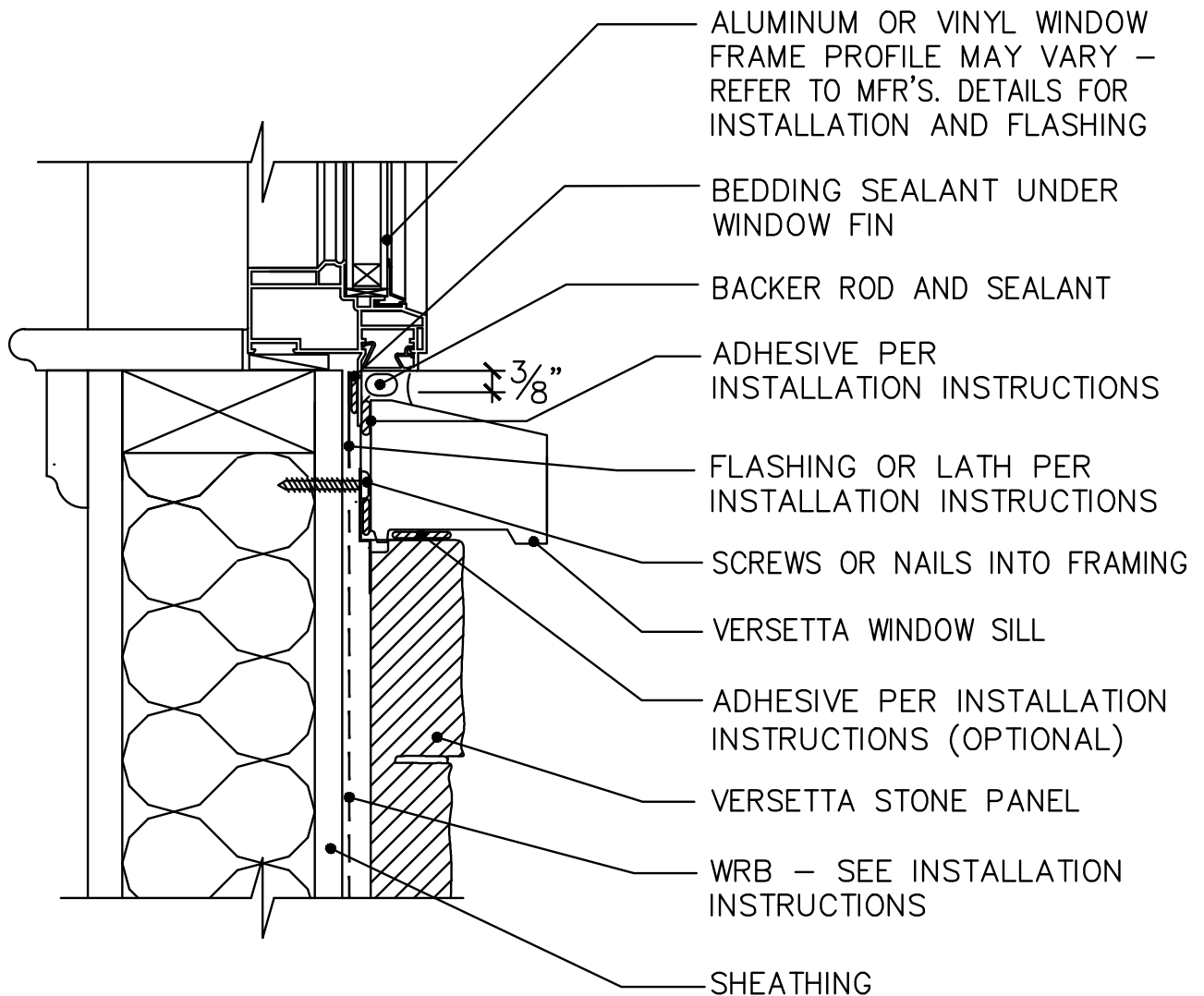
1-X
1.4

SCALE: 3"=1'-0"

BORAL

Versetta Stone®

FLASHING AND CONSTRUCTION DETAILS



SHEATHING AND WOOD STUDS –
WINDOW SILL

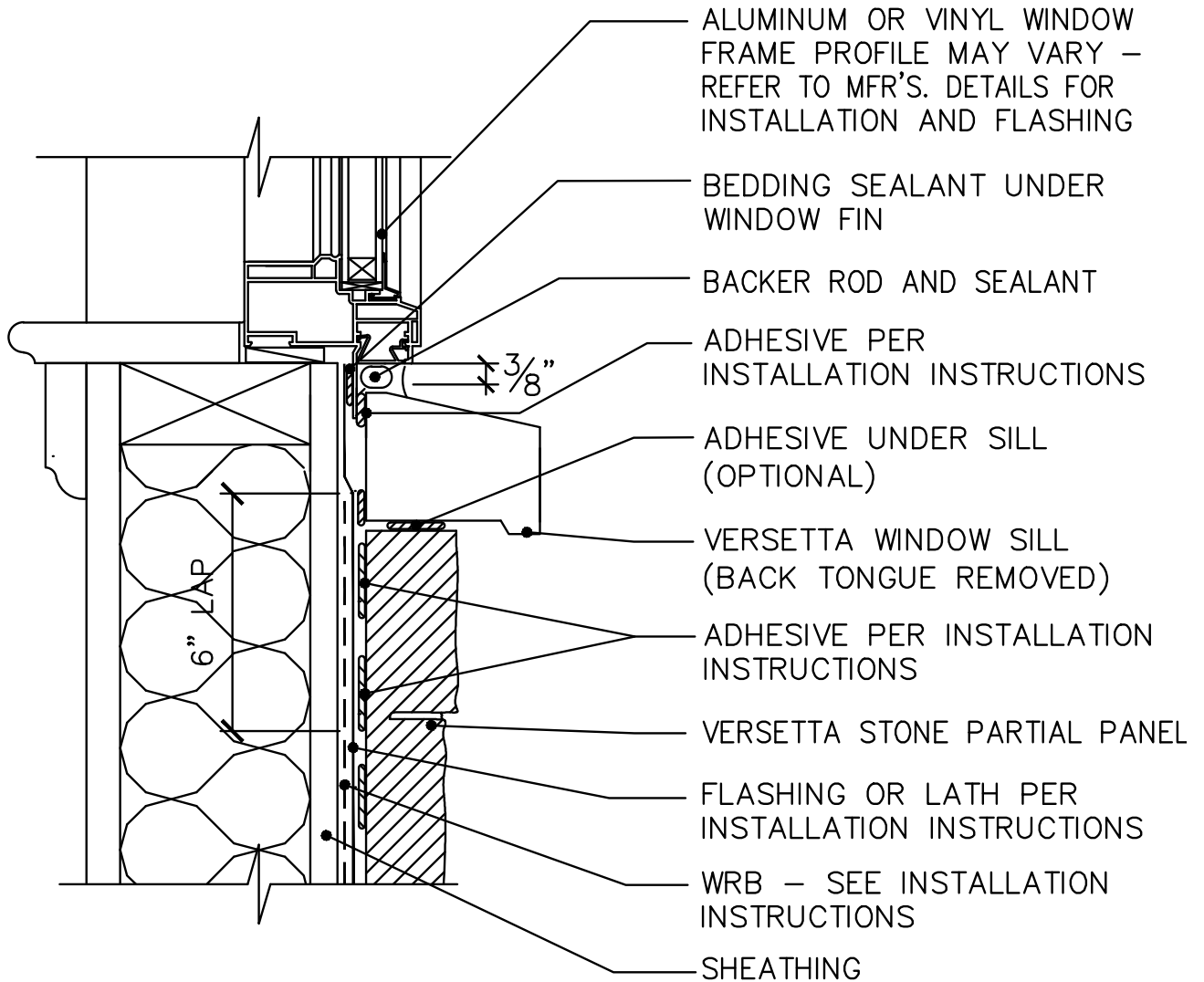
1-X
1.6

SCALE: 3"=1'-0"

BORAL

Versetta Stone®

FLASHING AND CONSTRUCTION DETAILS



SHEATHING AND WOOD STUDS –
WINDOW SILL–STONE PARTIAL PANEL

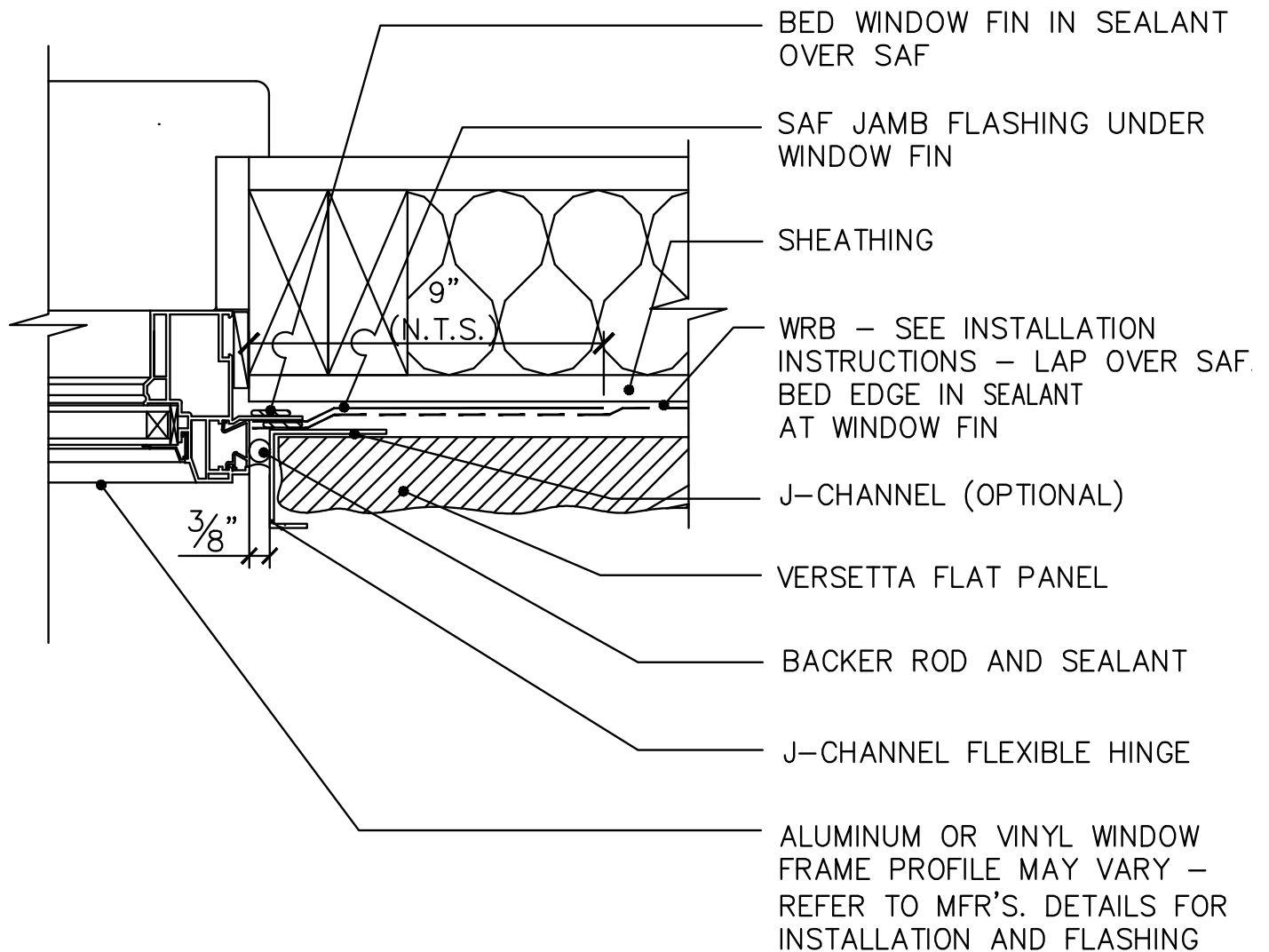
1-X

1.21

SCALE: 3"=1'-0"

Versetta Stone®

FLASHING AND CONSTRUCTION DETAILS



SHEATHING AND WOOD STUDS –
WINDOW JAMB

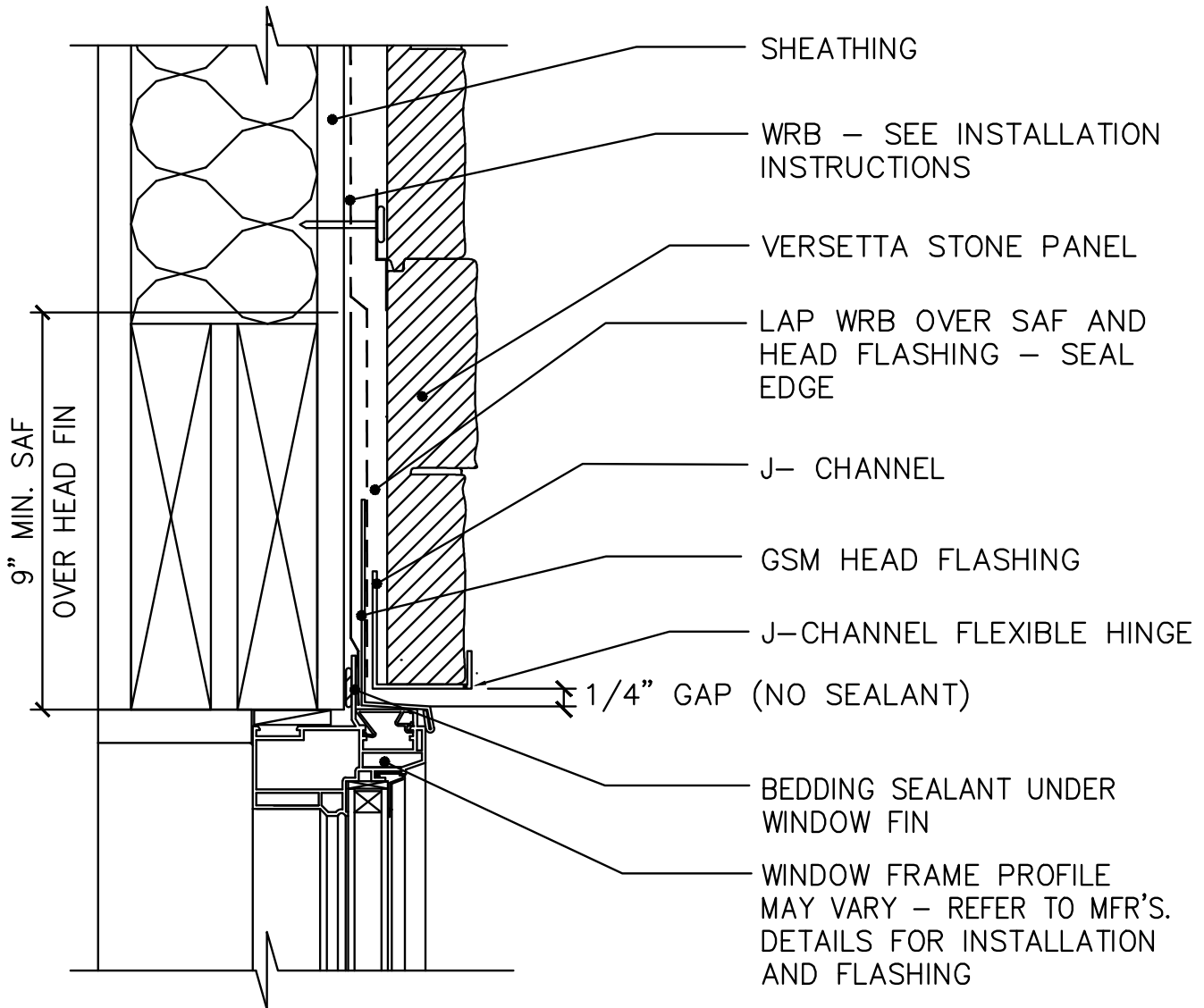
1-X
1.7

SCALE: 3"=1'-0"

BORAL

Versetta Stone®

FLASHING AND CONSTRUCTION DETAILS



SHEATHING AND WOOD STUDS –
WINDOW HEAD – TYP., NAIL-FIN

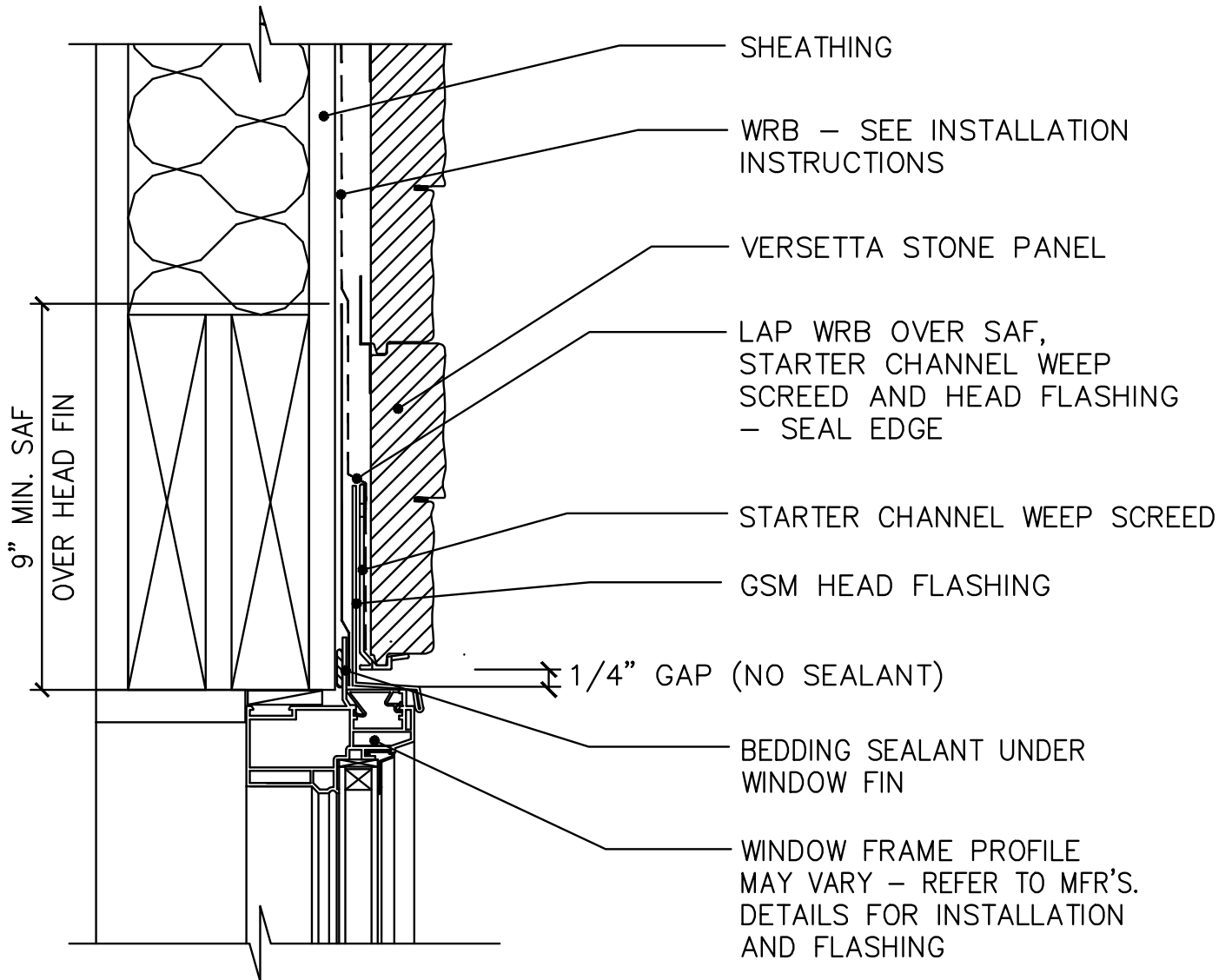
1-X
1.8

SCALE: 3"=1'-0"

BORAL

Versetta Stone®

FLASHING AND CONSTRUCTION DETAILS



SHEATHING AND WOOD STUDS –
WINDOW HEAD – TYP., NAIL-FIN

1-X
1.8A

SCALE: 3"=1'-0"

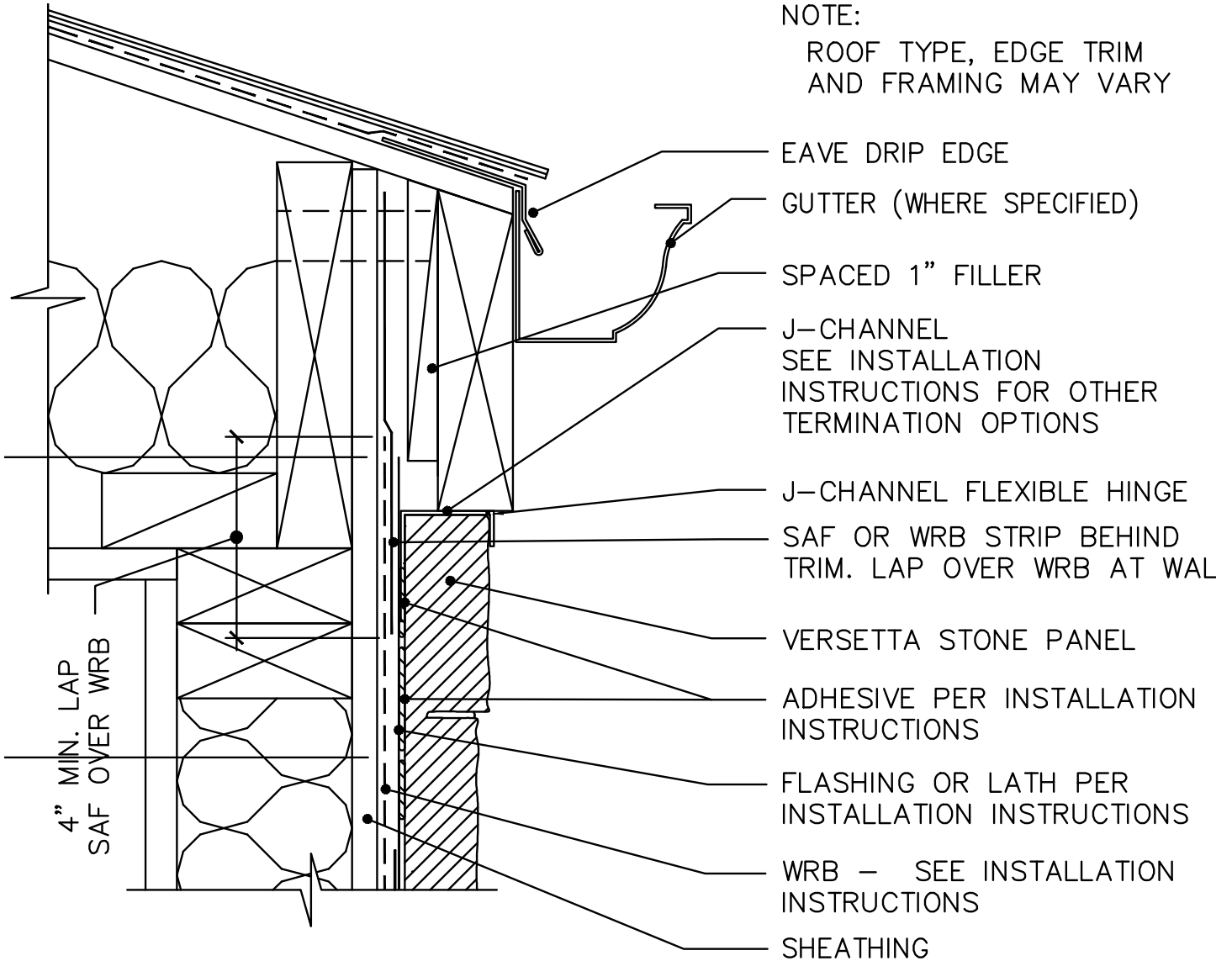
BORAL

Versetta Stone®

FLASHING AND CONSTRUCTION DETAILS

NOTE:

ROOF TYPE, EDGE TRIM
AND FRAMING MAY VARY



TOP OF FRAMED WALL AT ROOF —
TIGHT EAVE

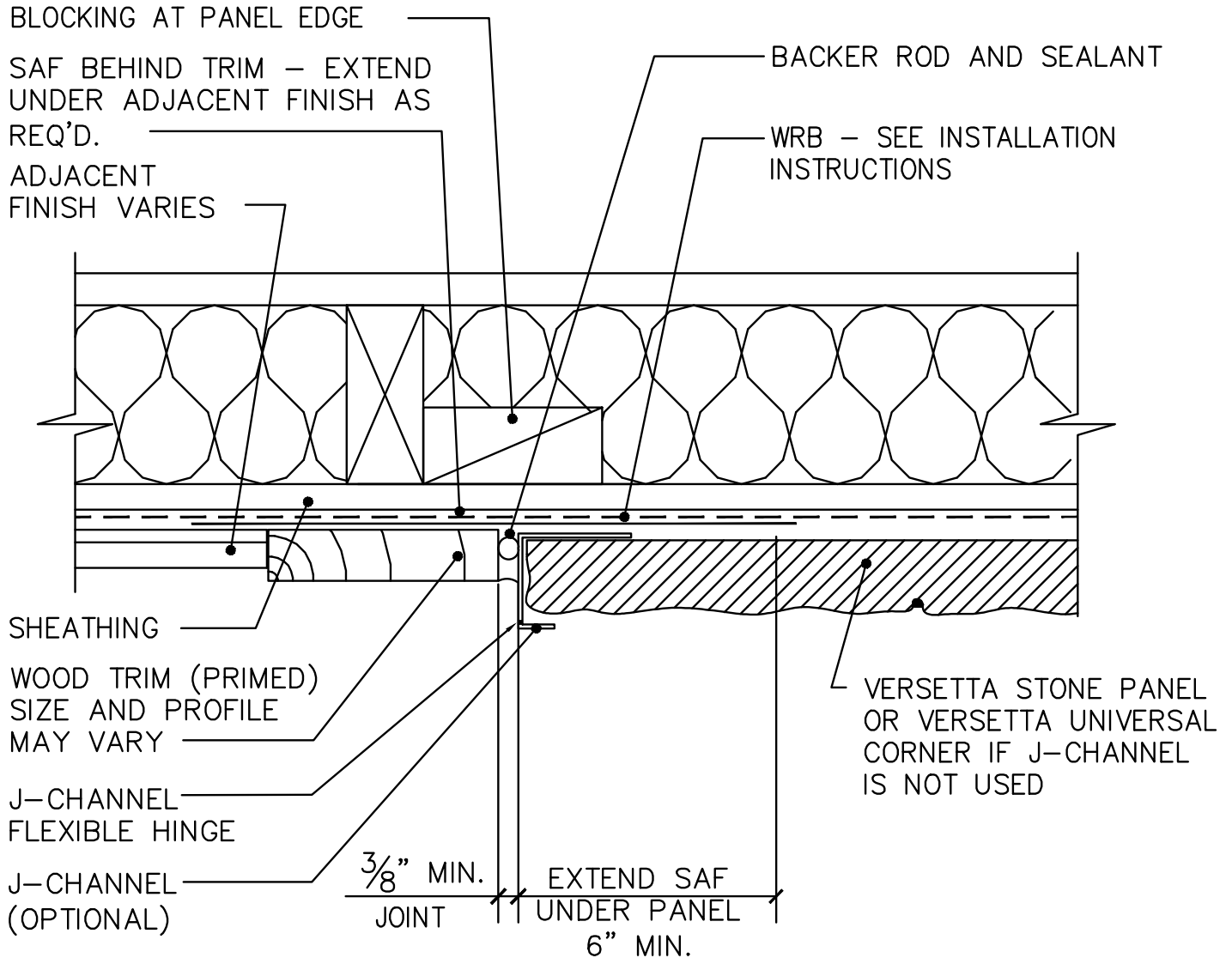
1-X
1.12A

SCALE: 3"=1'-0"

BORAL

Versetta Stone®

FLASHING AND CONSTRUCTION DETAILS



SHEATHING AND WOOD STUDS -
VERTICAL WOOD TRIM

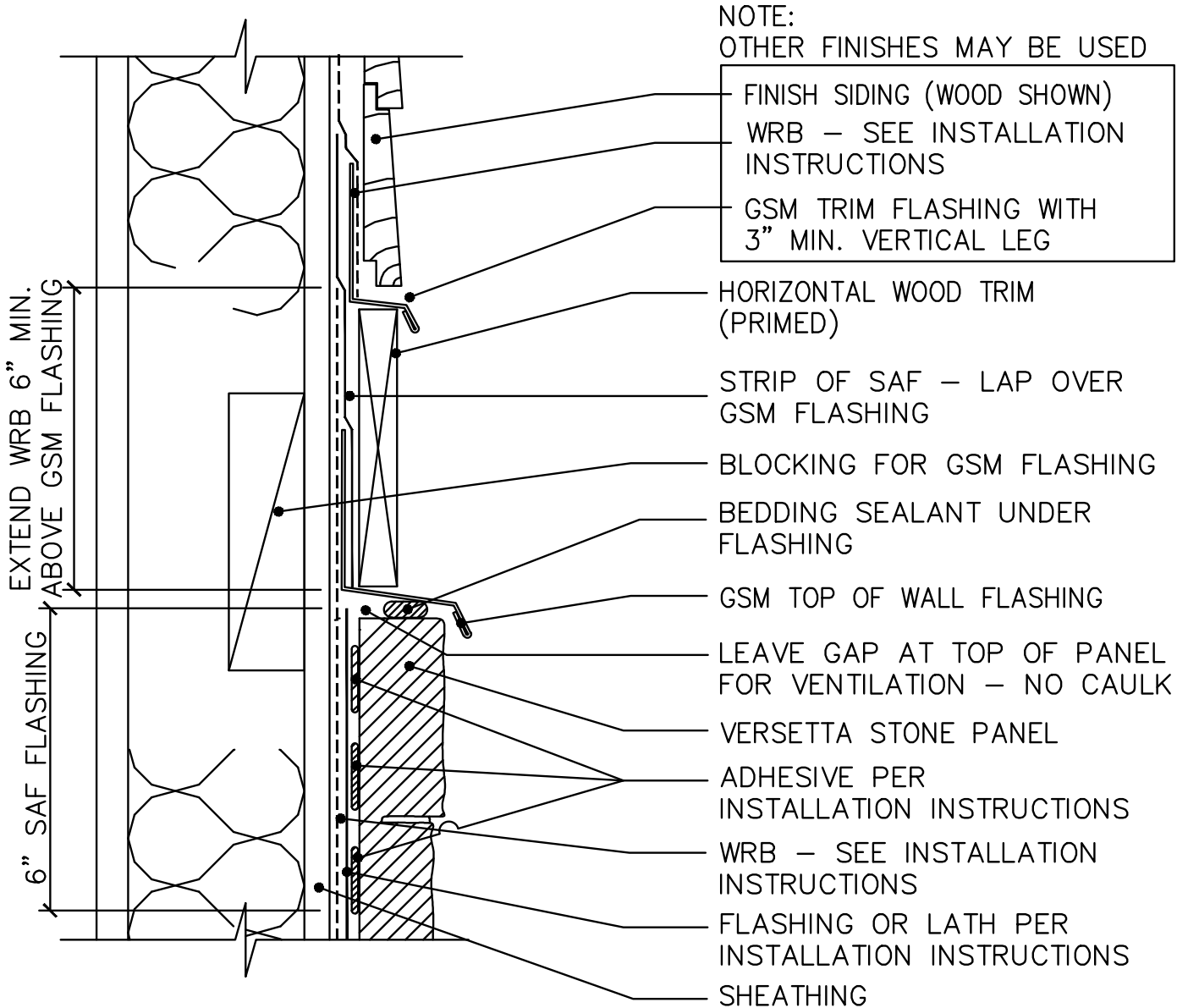
1-X
1.13

SCALE: 3"=1'-0"

BORAL

Versetta Stone®

FLASHING AND CONSTRUCTION DETAILS



1-X
1.14A

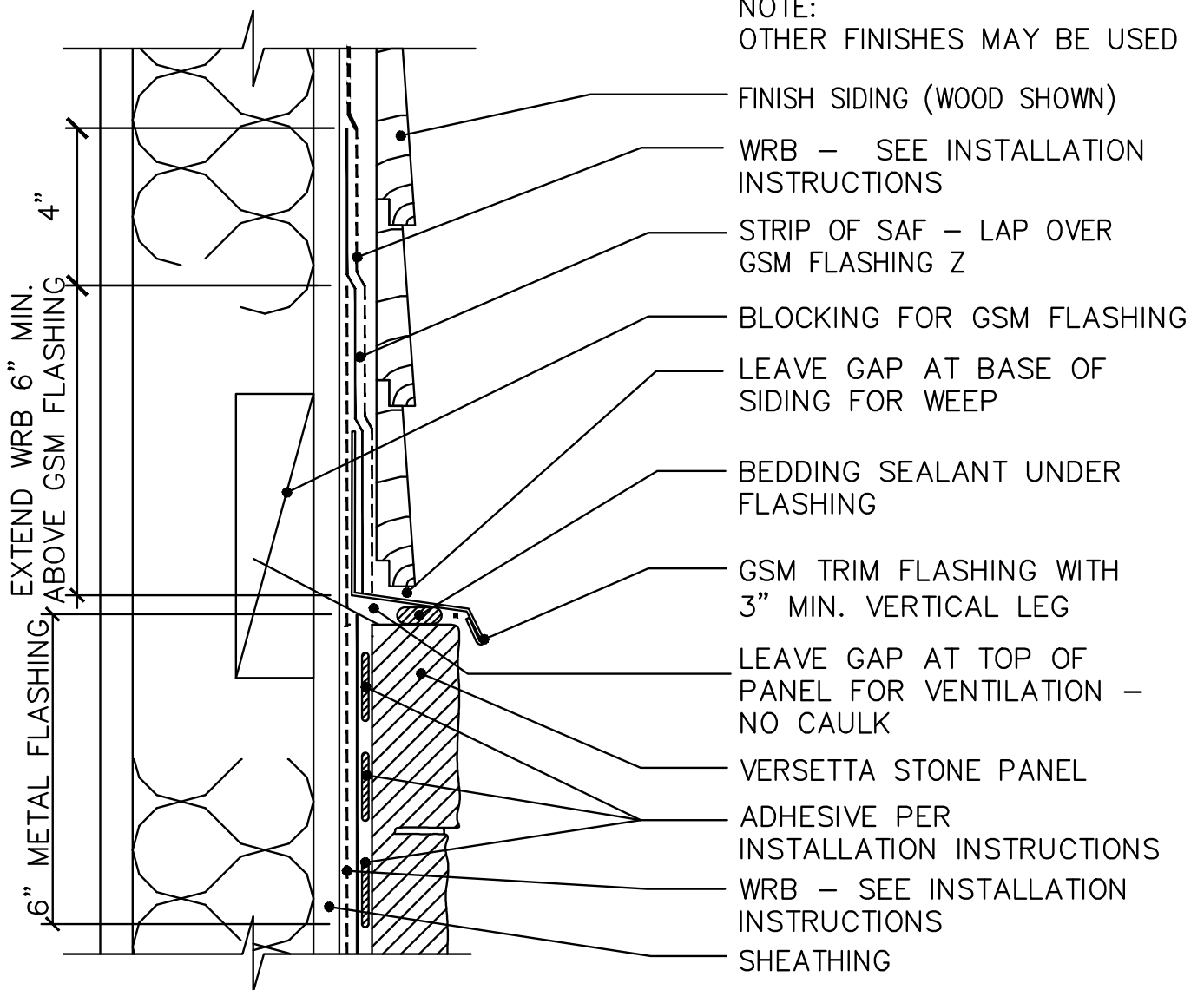
HORIZONTAL TRIM FLASHING

SCALE: 3"=1'-0"

BORAL

Versetta Stone®

FLASHING AND CONSTRUCTION DETAILS



SHEATHING / WOOD STUDS –
RECESSED TOP OF WALL FLASHING

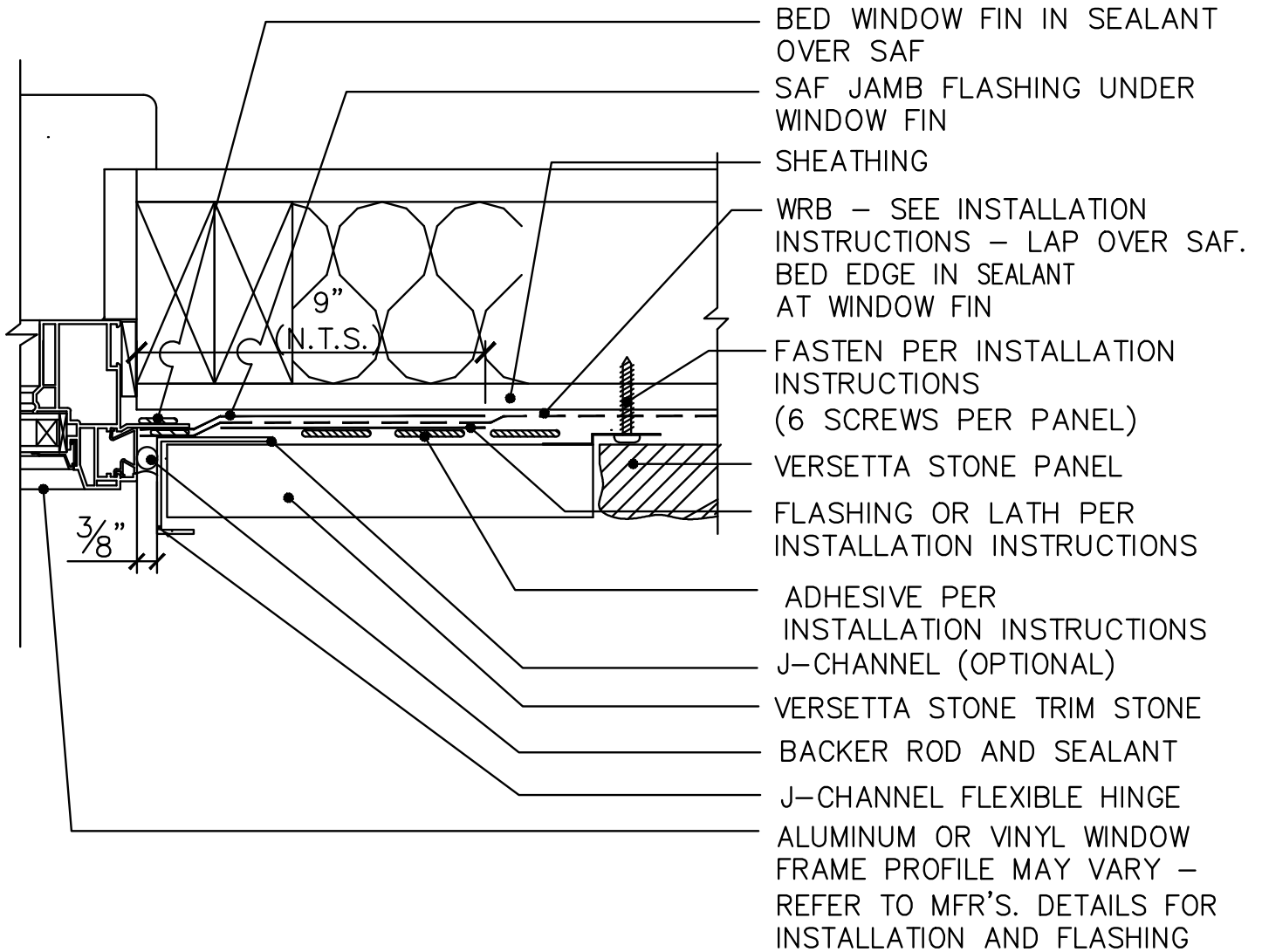
1-X
1.14B

SCALE: 3"=1'-0"

BORAL

Versetta Stone®

FLASHING AND CONSTRUCTION DETAILS



TRIM STONE WINDOW
JAMB TERMINATION

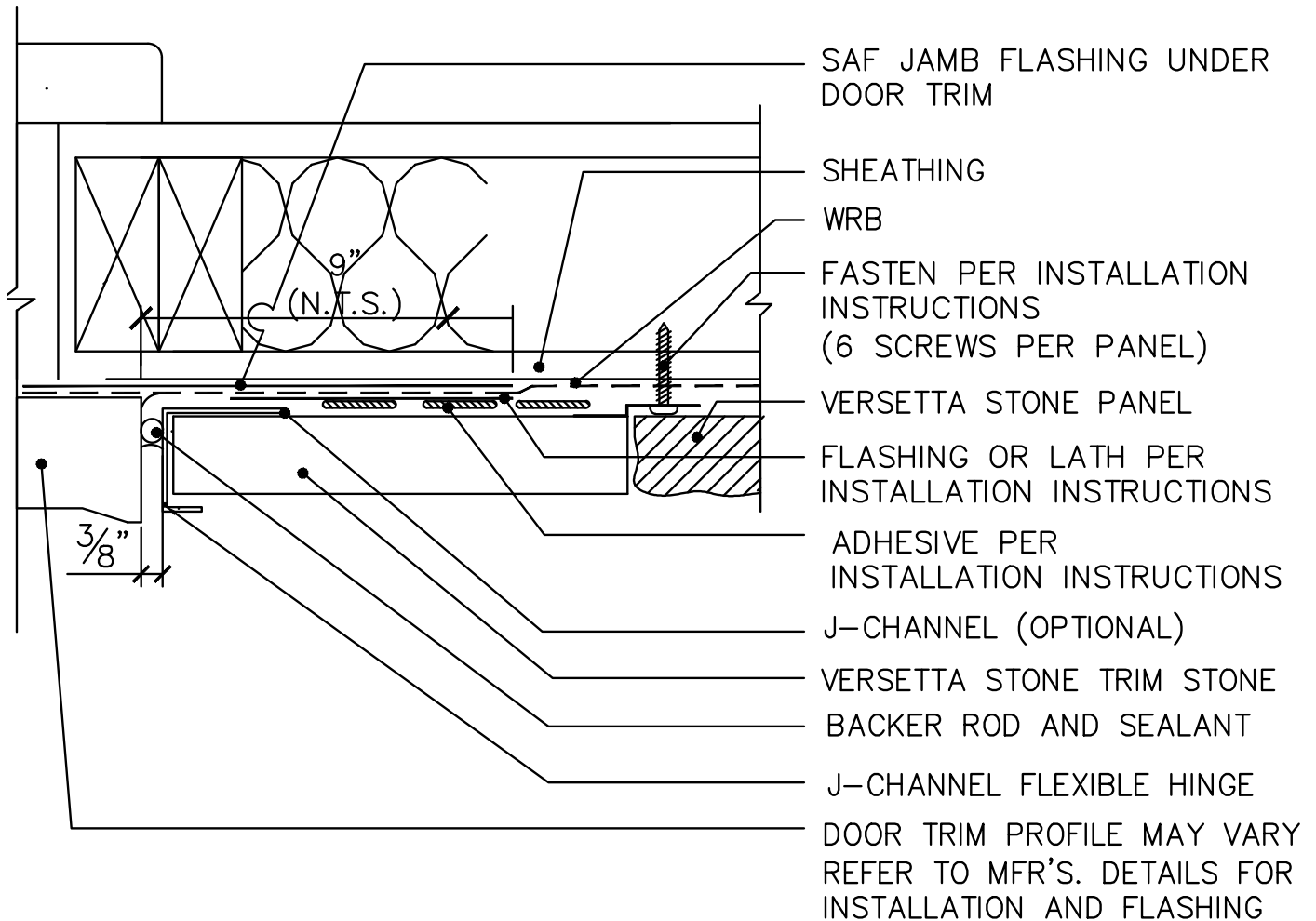
1-X
1.15

SCALE: 3"=1'-0"

BORAL

Versetta Stone®

FLASHING AND CONSTRUCTION DETAILS



TRIM STONE DOOR
JAMB TERMINATION

1-X
1.16

SCALE: 3"=1'-0"

BORAL

Versetta Stone®

FLASHING AND CONSTRUCTION DETAILS

NOTE:

ROOF TYPE, EDGE TRIM
AND FRAMING MAY VARY

SOFFIT SYSTEM MAY VARY

J-CHANNEL
SEE INSTALLATION
INSTRUCTIONS FOR OTHER
TERMINATION OPTIONS

J-CHANNEL FLEXIBLE HINGE

SAF OR WRB STRIP BEHIND
TRIM. LAP OVER WRB AT WALL

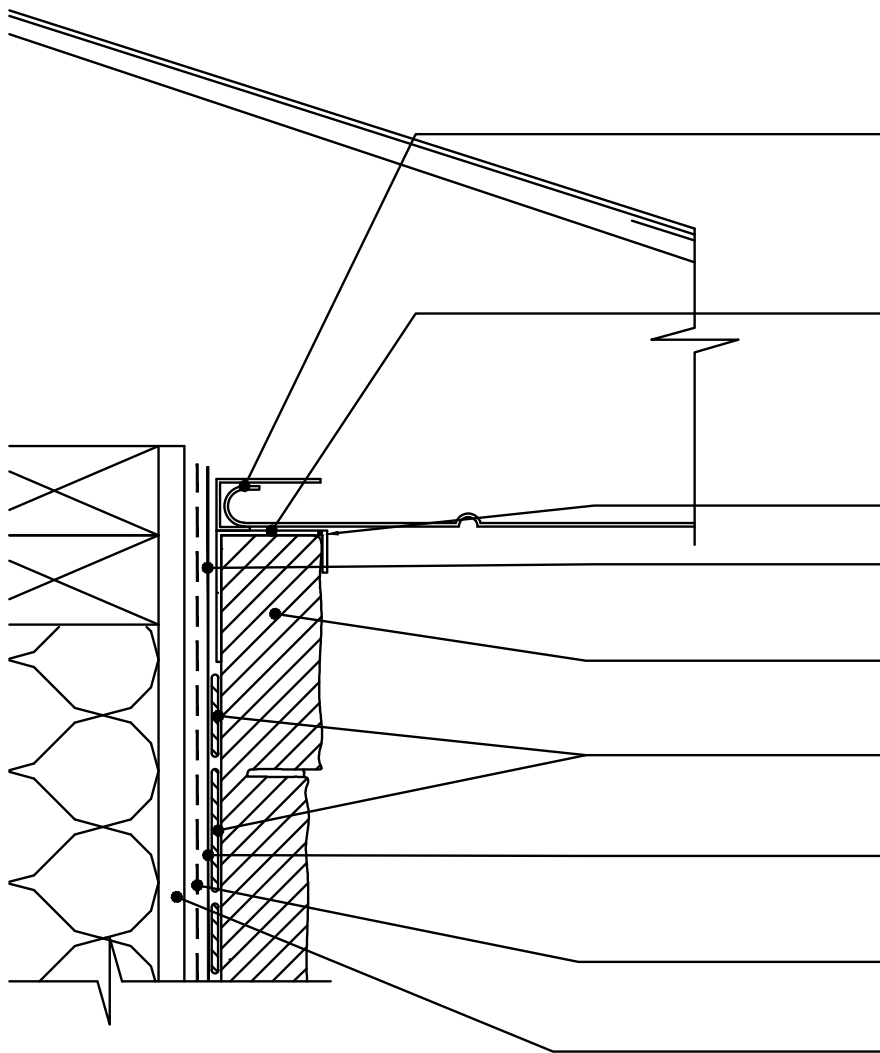
VERSETTA STONE PARTIAL
PANEL

ADHESIVE PER INSTALLATION
INSTRUCTIONS

FLASHING OR LATH PER
INSTALLATION INSTRUCTIONS

WRB – SEE INSTALLATION
INSTRUCTIONS

SHEATHING



1-X

SOFFIT TERMINATION

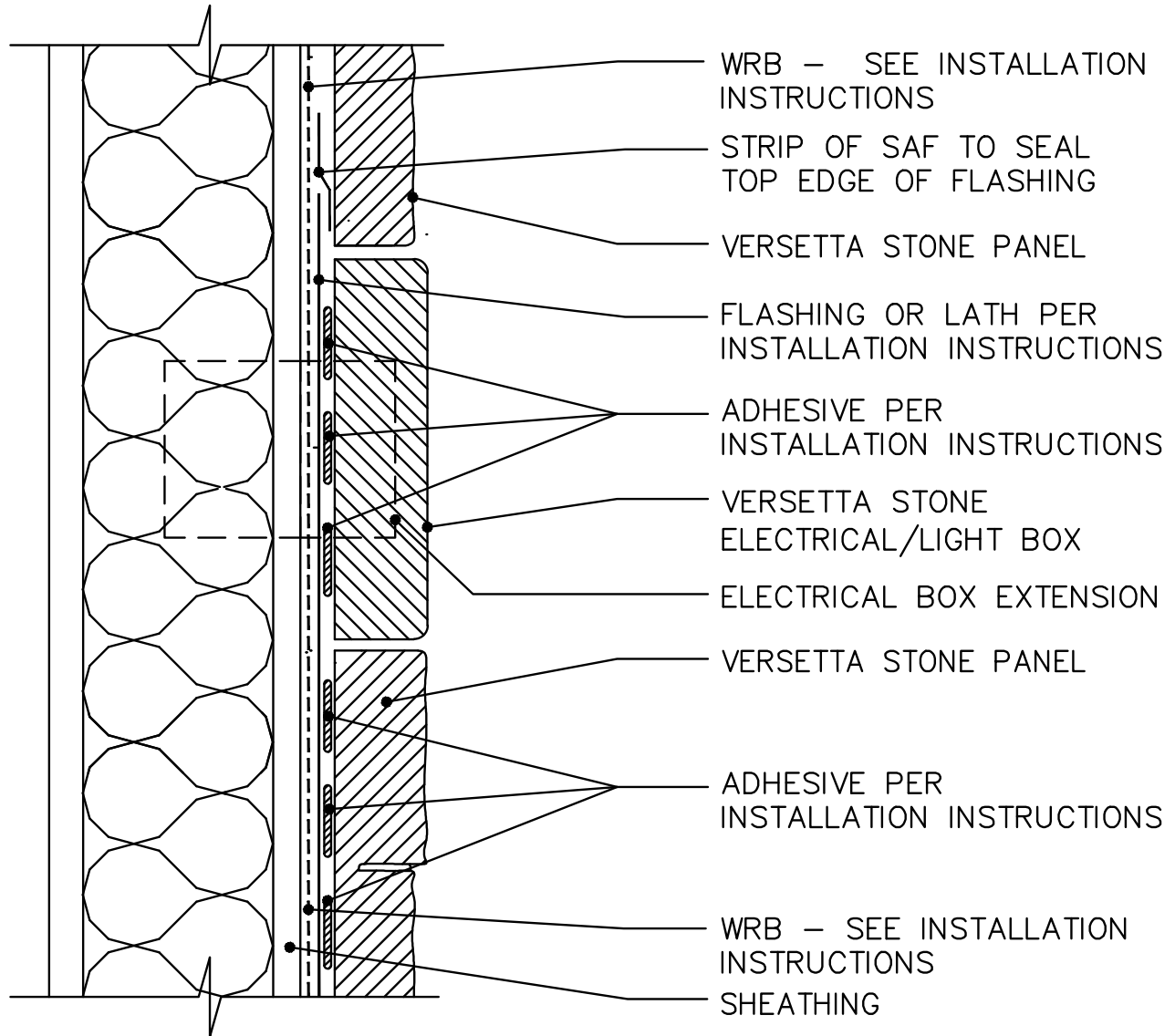
1.17

SCALE: 3"=1'-0"

BORAL

Versetta Stone®

FLASHING AND CONSTRUCTION DETAILS



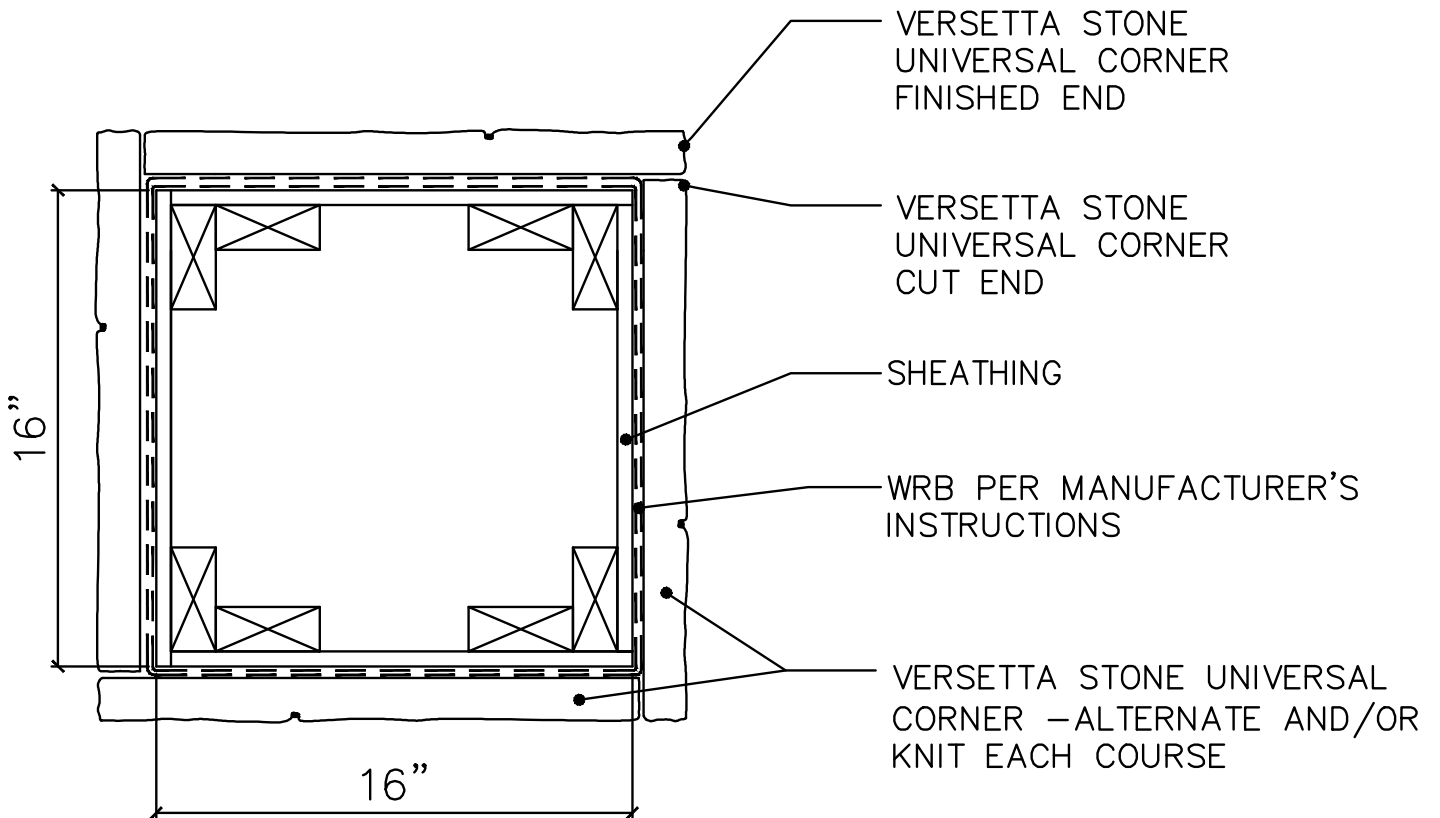
1-X ELECTRICAL/LIGHT BOX ACCESSORY

1.18 SCALE: 3"=1'-0"

BORAL

Versetta Stone®

FLASHING AND CONSTRUCTION DETAILS



1-X
1.19

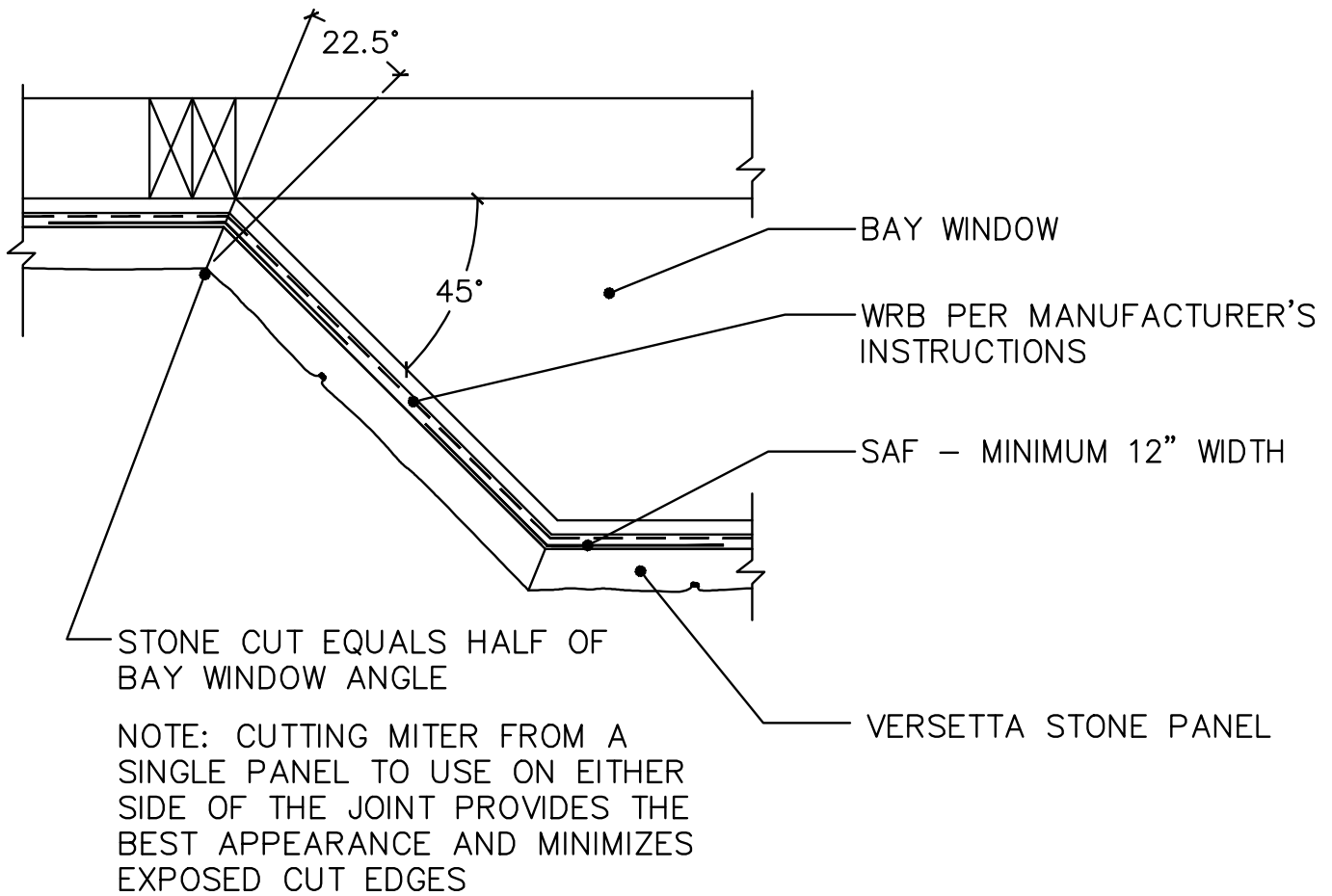
16" SQUARE COLUMN

CONSTRUCTED WITH ALL UNIVERSAL CORNERS

BORAL

Versetta Stone®

FLASHING AND CONSTRUCTION DETAILS



1-X BAY WINDOW MITER DETAIL
1.20

BORAL

For additional information on Versetta Stone® products
visit www.versettastone.com
or call 1-800-255-1727



✓ Recycled content
Minimum of 50 percent recycled
content on all Versetta Stone®
panelized stone veneer products.

Build something great™ with Boral

Roof tiles
Roof Accessories
Bricks
Stone

Explore the product range online
www.boralna.com

Pub. No.10015488. Printed in U.S.A. August 2013.
© 2013 Boral Stone Products LLC

