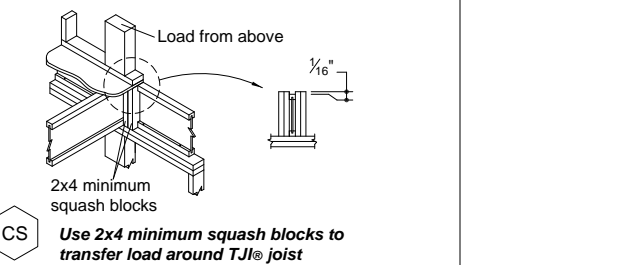
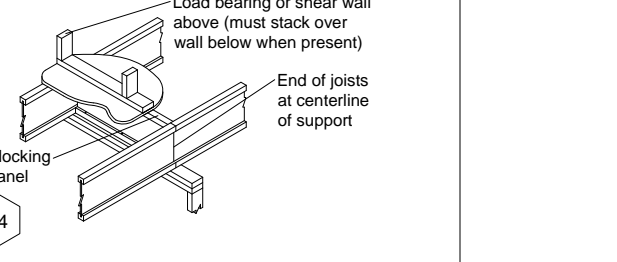
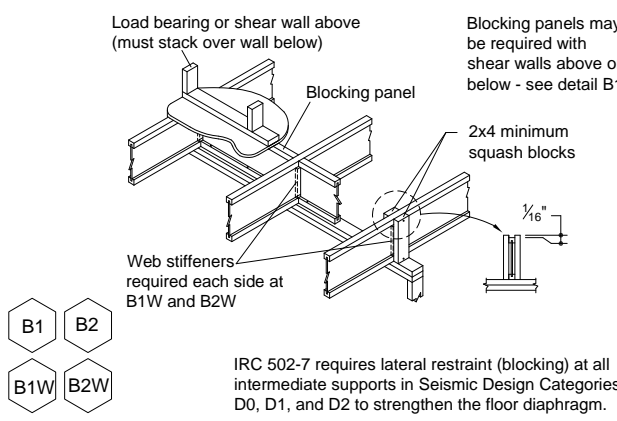
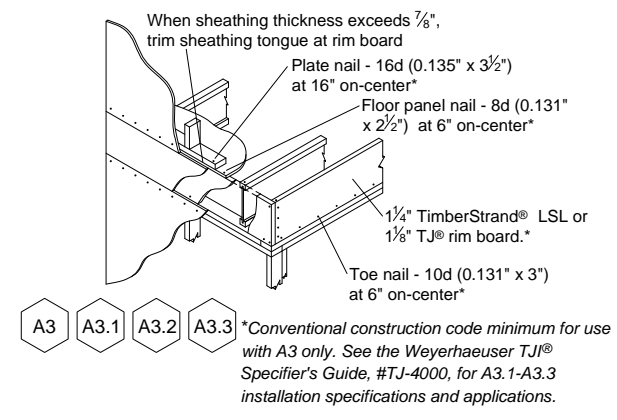


A complete Javelin® framing plan requires the Framers' Pocket Guide
See the Framers' Pocket Guide for Product Trademark Information



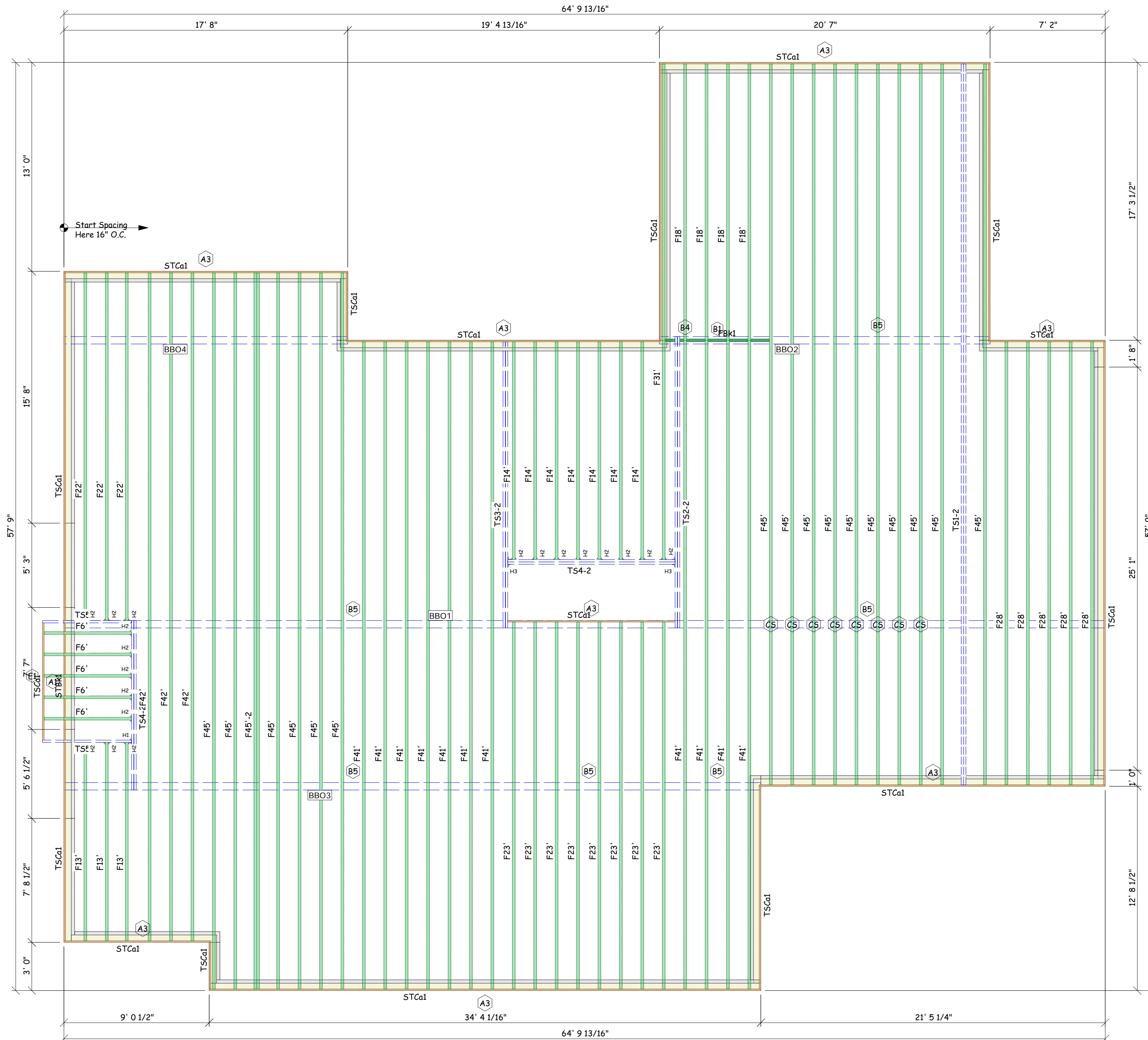
| Framing Connector Summary | | | | | | | | | | | | |
|---------------------------|-----|---------|---------------|---------------|---------------|---------------|---------------|------|-------|-------------|--------|-----------|
| PlotID | Qty | Manuf | Product | Design Method | Face Nails | Top Nails | Member Nails | Skew | Slope | Backer Blks | Filler | Web Stiff |
| H1 | 1 | Simpson | ITS1.81/11.88 | Geometry Only | 2-10d x 1-1/2 | 4-10d x 1-1/2 | 2-10d x 1-1/2 | - | - | No | No | No |
| H2 | 19 | Simpson | ITS2.06/11.88 | Geometry Only | 2-10d x 1-1/2 | 4-10d x 1-1/2 | - | - | - | No | No | No |
| H3 | 2 | Simpson | ITS3.56/11.88 | Geometry Only | 2-10d x 1-1/2 | 4-10d x 1-1/2 | 2-10d x 1-1/2 | - | - | No | No | No |

| Products | | | | |
|----------|--------|--|-------|---------|
| PlotID | Length | Product | Plies | Net Qty |
| F45'-2 | 45' 0" | 11 7/8" TJI® 210 | 2 | 2 |
| F45' | 45' 0" | 11 7/8" TJI® 210 | 1 | 16 |
| F42' | 42' 0" | 11 7/8" TJI® 210 | 1 | 3 |
| F41' | 41' 0" | 11 7/8" TJI® 210 | 1 | 11 |
| F31' | 31' 0" | 11 7/8" TJI® 210 | 1 | 1 |
| F28' | 28' 0" | 11 7/8" TJI® 210 | 1 | 5 |
| F23' | 23' 0" | 11 7/8" TJI® 210 | 1 | 8 |
| F22' | 22' 0" | 11 7/8" TJI® 210 | 1 | 3 |
| F18' | 18' 0" | 11 7/8" TJI® 210 | 1 | 4 |
| F14' | 14' 0" | 11 7/8" TJI® 210 | 1 | 7 |
| F13' | 13' 0" | 11 7/8" TJI® 210 | 1 | 3 |
| F6' | 6' 0" | 11 7/8" TJI® 210 | 1 | 5 |
| TSCa1 | 16' 0" | 1 1/4" x 11 7/8" 1.3E TimberStrand® LSL | 1 | 8 |
| TS1-2 | 45' 0" | 1 3/4" x 11 7/8" 1.55E TimberStrand® LSL | 2 | 2 |
| TS2-2 | 19' 0" | 1 3/4" x 11 7/8" 1.55E TimberStrand® LSL | 2 | 2 |
| TS3-2 | 18' 0" | 1 3/4" x 11 7/8" 1.55E TimberStrand® LSL | 2 | 2 |
| TS4-2 | 11' 0" | 1 3/4" x 11 7/8" 1.55E TimberStrand® LSL | 2 | 4 |
| TS5 | 6' 0" | 1 3/4" x 11 7/8" 1.55E TimberStrand® LSL | 1 | 2 |
| STCa1 | 12' 0" | 1 1/8" x 11 7/8" TJ® Rim Board | 1 | 12 |

| Accessories | | | | |
|-------------|--------|--|-------|---------|
| PlotID | Length | Product | Plies | Net Qty |
| | | 23/32"x48"x96" Weyerhaeuser Edge Panel (0/24) T&G FF | 1 | 87 |

| Blocking | | | | |
|----------|--------|--------------------------------|-------|---------|
| PlotID | Length | Product | Plies | Net Qty |
| FBK1 | 2' 0" | 11 7/8" TJI® 210 | 1 | 4 |
| FBK1 | 1' 0" | 11 7/8" TJI® 210 | 1 | 2 |
| STBK1 | 2' 0" | 1 1/8" x 11 7/8" TJ® Rim Board | 1 | 5 |
| STBK1 | 1' 0" | 1 1/8" x 11 7/8" TJ® Rim Board | 1 | 1 |

| LEVEL NOTES | |
|--|--|
| Current Date: | 4/26/2016 |
| File Name: | Ani_jvl |
| Level Name: | Foundation |
| TJ-Pro Rating (Weighted Average): | 43 |
| Minimum Level TJ - Pro Rating & Joist: | TJ-Pro rating = 40, joist = F22' (I3716) |
| Maximum Level TJ - Pro Rating & Joist: | TJ-Pro rating = 63, joist = F13' (I3715) |
| Building Code - Design Methodology: | IBC 2012 |
| FLOOR | |
| Floor Container: | FC1 |
| Use/Occupancy: | Residential/Living Areas |
| Floor Area Loading is: | 40.0 lb/ft² Live Load & 12.0 lb/ft² Dead Load |
| Maximum Allowed Deflection: | L/480 Live Load & L/240 Total Load |
| TJ-Pro Rating Information: | |
| Weighted Average: | 43 |
| Directly Applied Ceiling: | None |
| Decking Attachment: | Glue and Nail |
| Decking Material: | 23/32"x48"x96" Weyerhaeuser Edge Panel (0/24) T&G FF |
| Perpendicular Partition: | No |
| Strapping at max 8' o.c.: | None |
| Blocking at max 8' o.c.: | No |
| Poured Flooring: | No |



WARNING

Joists are unstable until braced laterally

Bracing Includes:

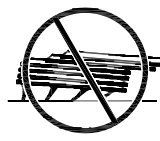
- Blocking
- Sheathing
- String Lines
- Hangers
- Rim Board
- End Joist



DO NOT walk on joists until braced. INJURY MAY RESULT.



DO NOT walk on joists that are lying flat.



DO NOT stack building materials on unbraced joists. Stack only over beams or walls.

WARNING NOTES:

Lack of proper bracing during construction can result in serious accidents. Observe the following guidelines:

1. All blocking, hangers, rim boards and end joists at the end supports of the TJI joists must be completely installed and properly nailed.
2. Lateral strength, like braced end wall or an existing deck, must be established at the ends of the bay. This can also be accomplished by a temporary or permanent deck (sheathing) fastened to the first 4 feet of joists at the end of the bay.
3. Safety bracing of 1x4 (minimum) must be nailed to a braced end wall or sheathed area (as in note 2) and to each joist. Without this bracing, buckling sideways or rollover is highly probable under light construction loads - such as a worker or one layer of unnailed sheathing.
4. Sheathing must be completely attached to each TJI joist before additional loads can be placed on the system.
5. Ends of cantilevers require safety bracing on both the top and bottom flanges.
6. The barages must remain straight within 1/2" from true alignment.

▲ Weyerhaeuser, Leveik, Microlam®, Parallam®, Silent Floor®, TimberStrand®, TJI®, TJ®, and Trus Joist® are registered trademarks of Weyerhaeuser NR. © 2012 Weyerhaeuser NR Company. All rights reserved.

| Symbol Legend | |
|---------------|--|
| ○ | User Defined Point Load |
| — | User Defined Line Load |
| ■ | User Defined Area Load |
| BBO | Beam By Others |
| PBO | Post By Others |
| → | Layout Start Location |
| ○ | Construction Detail Callout (See Framers' Pocket Guide) |
| ○ | Excavated Point Load |
| ○ | WARNING: Member design did not include this load. Special consideration is required by the designer of record. |
| — | Required Bearing Length (Only placed at insufficient bearing locations) |



Drawn By:
Checked By:
Release Date:
Revision Date:

These placement plans have been developed for the specification of products based on project information provided. This service is solely intended for product application assurance, and is not intended to circumvent the need for a design professional as determined by the building code. The designer of record and/or builder/framer is responsible to assure these drawings are compatible with the overall project.

Prepared By:

Customer: HOME DEPOT
Job Name: ANI
Plan/Model #: FOUNDATION
Subdivision:

Address/Lot:
City, State:
Job #:
Scale:

Customer: HOME DEPOT
Job Name: ANI
Plan/Model #: FOUNDATION
Subdivision:

Sheet:
1 of 1