

Tools and Items Needed

- | | | |
|--|--|--|
| Hardware Not included: | • Drill/power screwdriver | • Adjustable wrench or socket wrench for bolts, etc. |
| • #10 x 3" Galvanized wood screws | • Miter or circular saw with carbide tip blade | • Safety glasses/goggles |
| • 5/16" x 4" or longer hot dipped galvanized | • Marked speed square | • Rubber mallet |
| | • Carpenter's level | • Tape measure |
| | • Carpenter's pencil | • 3/16" allen wrench |

Parts included

- | | |
|--|---------------------|
| 1 – 2-1/2" Aluminum Post with Set screws | 1 – Post Cap |
| 1 – Post Base Trim | 2 – Leveling Plates |

Post Installation Instructions

Prior to construction:

- If installing low-voltage lighting, wiring must be installed before securing posts to deck surface.
- Pre-drill holes to prevent cracking the support boards.

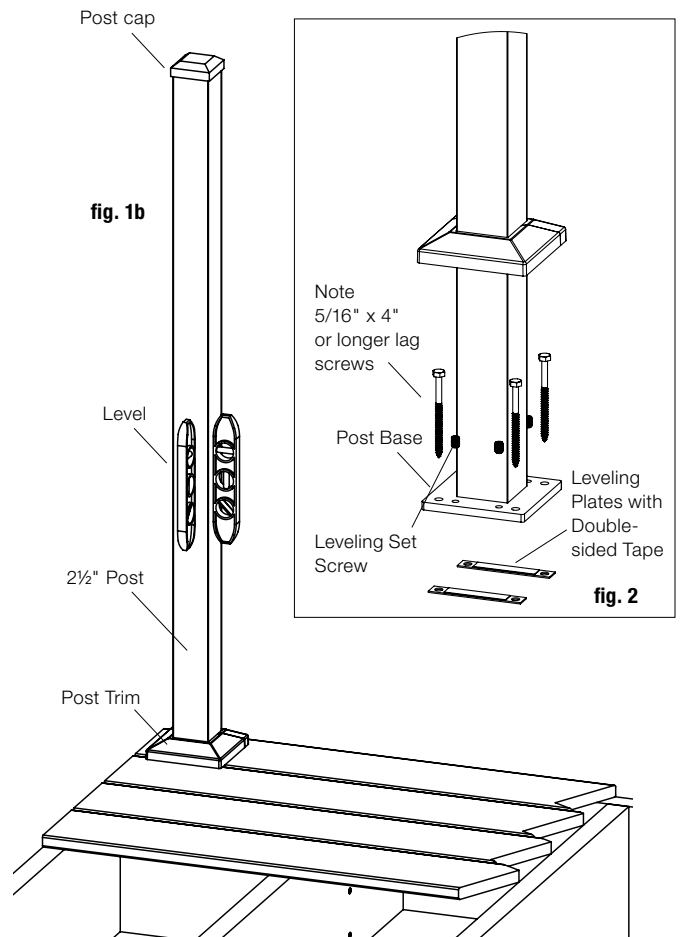
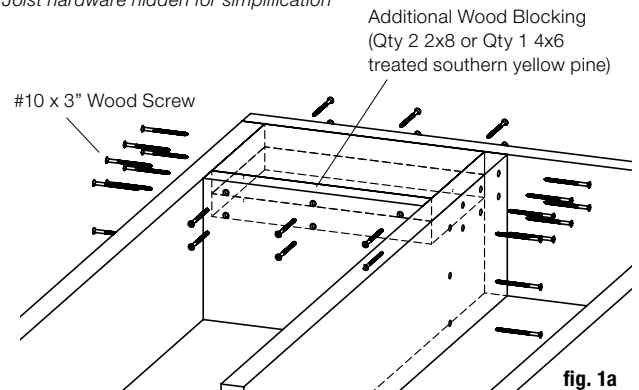
Step 1 Begin by adding two 2x8 Treated Southern Yellow Pine blocks running between the insides of the joists. Make sure to pre-drill the holes before securely fastening them in place with hot dipped galvanized or better corrosion resistant screws. Then make sure the decking is firmly attached to the joist at the location of the posts. Install posts by attaching them through the decking into the joists below or a double blocking between joists. (fig. 1a) Fasteners that hold the post base to the surface should be able to secure to joist or reinforcement braces, not just the decking itself. *Note: When installing aluminum post on top of a wood surface, screws must be lagged into at least 3" of solid wood (not including the decking). 5/4" or 1 1/2" deck boards do not provide sufficient material for a safe installation. If necessary, add additional material to the underside of the surface.*

Step 2 Position the post assembly onto the location where it will be attached to the deck. Four 11/32" diameter mounting holes are provided on the base. When the final position is determined, mark the base hole locations. Remove the post assembly and drill 3/8" holes through the decking only in the marked locations to allow for minor board movement. Then drill 15/64" pilot holes for 5/16" lags in the marked locations into the deck and reinforcement (fig. 1b).

Step 3 Using the double sided tape, attach the two leveling plates to the bottom of the post base so that the plate lies beneath the leveling set screws and the mounting holes are aligned (see fig. 2). Reposition the post assembly onto the deck, Insert the post fasteners (NOT INCLUDED), and partially tighten. Using a level, adjust the leveling set screws with a 3/16" allen wrench until the post is plumb. Fully tighten the post fasteners to secure the base to the deck structure. Double check level and adjust as needed (Fig. 2)

STOP – If your post kit includes a 1-pc. post base trim, make sure it is installed before continuing.

* Joist hardware hidden for simplification



THE DIAGRAMS AND INSTRUCTIONS IN THIS BROCHURE ARE FOR ILLUSTRATION PURPOSES ONLY AND ARE NOT MEANT TO REPLACE A LICENSED PROFESSIONAL. ANY CONSTRUCTION OR USE OF THE PRODUCT MUST BE IN ACCORDANCE WITH ALL LOCAL ZONING AND/OR BUILDING CODES. THE CONSUMER ASSUMES ALL RISKS AND LIABILITY ASSOCIATED WITH THE CONSTRUCTION OR USE OF THIS PRODUCT. THE CONSUMER OR CONTRACTOR SHOULD TAKE ALL NECESSARY STEPS TO ENSURE THE SAFETY OF EVERYONE INVOLVED IN THE PROJECT, INCLUDING, BUT NOT LIMITED TO, WEARING THE APPROPRIATE SAFETY EQUIPMENT. EXCEPT AS CONTAINED IN THE WRITTEN LIMITED WARRANTY, THE WARRANTOR DOES NOT PROVIDE ANY OTHER WARRANTY, EITHER EXPRESS OR IMPLIED, AND SHALL NOT BE LIABLE FOR ANY DAMAGES, INCLUDING CONSEQUENTIAL DAMAGES.